

Description

The CIP-8 series 8-bit encoder/decoder IC's offer an easy to use, low-cost solution for simple remote control applications in a convenient industry standard 20-pin PDIP package.

Encoder Operation

On power-up the encoder enters low power sleep mode. When the transmit enable pin is pulled to ground, the encoder will wake up and begin the transmit process.

First, the encoder will record the state of the 8-bit address/data lines, encode for error correction and assemble the packet.

It will then sample the A0/BAUD pin to fix the data rate, and then output the address and encoded data packet on DOUT.

The encode/transmit process will continue for as long as the /TE pin is low, and return to low power sleep mode when /TE returns high.

It will update the state of the address and data lines with each packet and finish the current transmission even after the /TE pin is released from ground.

Encoded Data Packet

Each data packet consists of seven bytes of information to be transmitted.

- The preamble
- The synchronization byte
- The 1st address byte
- The 1st data byte
- The 2nd address byte
- The 2nd data byte
- The address/data checksum

A 10mS guard time is inserted between each encoded packet transmission to allow the decoder time to receive, decode, verify, and process each packet. The encoder returns to low power sleep mode for power conservation immediately once /TE returns to logic 1, and the packet transmission is complete.

Features

- Latched or momentary outputs
- No programming necessary
- Very easy to use
- Very low component count
- Low current consumption
- Up to 25mA per decoder output
- Eight bit data (D0 to D7)
- Eight bit binary address (0 to 255)
- Selectable baud rates (2400/4800)
- High noise immunity
- Standard 20-pin PDIP package

Applications

- Simple remote control
- Wire elimination
- Remote status monitoring
- Remote lighting control

Decoder Operation

The decoder enters a timed loop waiting for the synchronization byte. An internal 16-bit timer is used to force an exit from the receive loop, and reset the output pins (in momentary mode) every 65.5mS if no valid synch byte is received during this time period.

Once a valid synch byte is received, the timer is disabled, and the remainder of the data packet is received and stored for the verification process.

Immediately after receiving a valid data packet it begins the process of verifying the data, and checking it for errors.

Once data has been verified, the decoded data will be placed on the output pins, and the decoder re-enters the timed loop waiting for the next valid packet.

If the decoder is operating in latch mode, the last valid 8-bit binary data value received will remain on the decoder outputs until a different valid binary data packet is received.

Pin Descriptions

Pins A0 to A7 on the CIP-8 encoder and decoder IC's are used to set a unique address relationship between the encoder and decoder.

This helps prevent accidental activation of decoder outputs, and allows a single encoder the ability to control multiple decoders by simply changing the encoder address to match the decoder to control.

Ensure the address set on the encoder matches the decoder you wish to control. A single bit difference, and the decoder will not respond.

A0/BAUD Pin

The A0/BAUD input serves two functions. One is being the least significant bit of the 8-bit encoder/decoder address. Two is being the data rate selection pin. With A0/BAUD connected to ground, the least significant bit of the 8-bit binary address is 0, and the serial data rate is 2400bps.

With this pin at Vcc, the least significant address bit is 1, and the serial data rate is 4800bps. This option allows support for low-end RF modules that require the lower data rates, while providing the faster data rate option for higher end RF modules such as the excellent Linx Technologies® LR series, and others.

Encoder & Decoder Data Pins D0-D7

On the encoder, pins D0-D7 are the data input pins. The logic value present on these inputs will be transferred to the corresponding D0-D7 data output pins on the decoder when /TE (transmit enable) pin on the encoder is pulled to ground.

Encoder /TE Pin

/TE is the transmit enable pin. This pin will cause the encoder to sample the address and data pins, and transmit continuously while held at ground. Returning /TE to Vcc through the pull-up resistor as shown in the CIP-8 example schematics will end the transmission, and place the encoder in low power sleep mode.

Decoder Latch/Momentary Modes

The decoder L/M pin provides a mode select to switch between momentary or latched decoder operating modes.

Logic 1 = Latch Mode

Logic 0 = Momentary Mode

In momentary mode, the decoder outputs that will maintain the 8-bit data value being received for the duration of valid address and data reception.

If any part of the verification process fails, or reception is interrupted for longer than 65.5mS, decoder will timeout, immediately discard the packet, reset the timer, force all decoder data outputs back to ground, and re-enter the timed loop waiting for the next packet.

When receiving a continuous stream of valid data, the timer is disabled, and the decoder will respond rapidly to changing data values, and hold the received binary pattern on the outputs.

Connect All Pins

All address, data, and function select pins such as /TE, and L/M pins must be connected to either Vcc or ground as required. Leaving any pins floating (not connected) will cause erratic operation of the encoder, decoder, or both.

Ensure that encoder data inputs D0-D7 are at the required logic levels before the /TE pin is pulled to ground.

When prototyping circuits on a breadboard, it may be desirable to test logic levels on all encoder/decoder pins with a logic probe or meter before operation.

VCC And Ground

VCC is the positive power supply. GND is ground.

Ordering Information	
Part #	Description
CIP-8D	8-Bit Decoder IC
CIP-8E	8-Bit Encoder IC

CIP-8
8-Bit Remote Control Encoder/Decoder IC's

Electrical Characteristics

Parameter	Designation	Min.	Typ.	Max.	Units	Notes
Supply Voltage	V _{CC}	3.0	--	5.5	VDC	
Supply Current	I _{DD}					
@ 3.0V V _{CC}		---	500	TBD	μA	1
@ 5.0V V _{CC}		---	800	TBD	μA	1
Sleep Current						
@ 3.0V V _{CC}		---	0.1	0.85	μA	
@ 5.0V V _{CC}		---	0.2	0.95	μA	
Input Low Voltage	V _{IL}	GND	---	0.2 V _{CC}	V	2
Input High Voltage	V _{IH}	0.8 V _{CC}	---	V _{CC}	V	3
Output Low Voltage	V _{OL}	---	---	0.6	V	
Output High Voltage	V _{OH}	V _{CC} - 0.7	---	---	V	

Notes

1. Current consumption with no active loads
2. For 3V supply, (0.2 x 3.0) = 0.6V max.
3. For 3V supply, (0.8 x 3.0) = 2.4V min.

Absolute Maximum Ratings

Ambient temperature under bias.....	-40° to +125°C
Storage temperature	-65°C to +150°C
Voltage on V _{DD} with respect to V _{SS}	-0.3V to +6.5V
Voltage on MCLR with respect to V _{SS}	-0.3V to +13.5V
Voltage on all other pins with respect to V _{SS}	-0.3V to (V _{DD} + 0.3V)
Total power dissipation	800 mW
Maximum current out of V _{SS} pin	300 mA
Maximum current into V _{DD} pin	250 mA
Input clamp current, I _{IK} (V _I < 0 or V _I > V _{DD}).....	± 20 mA
Output clamp current, I _{OK} (V _O < 0 or V _O > V _{DD}).....	± 20 mA
Maximum output current sunk by any I/O pin.....	25 mA
Maximum output current sourced by any I/O pin	25 mA
Maximum current sunk or sourced by all pins combined	200 mA

Disclaimer

These devices are not intended for use in applications of a critical nature where safety, life, or property is at risk. The user of this product assumes full liability for the use of this product in all applications. Under no conditions will Reynolds Electronics be responsible for losses arising from the use or failure of the device in any application, other than the repair, replacement, or refund limited to the original product purchase price.

Technical support: Email: tech@rentron.com
 Sales: sales@rentron.com
 Distributor inquiries: sales@rentron.com

Copyright © 2006 Reynolds Electronics
 3101 Eastridge Lane
 Canon City, Co. 81212
 Phone: (719) 269-3469
 Fax: (719) 276-2853
 Web Site: <http://www.rentron.com>

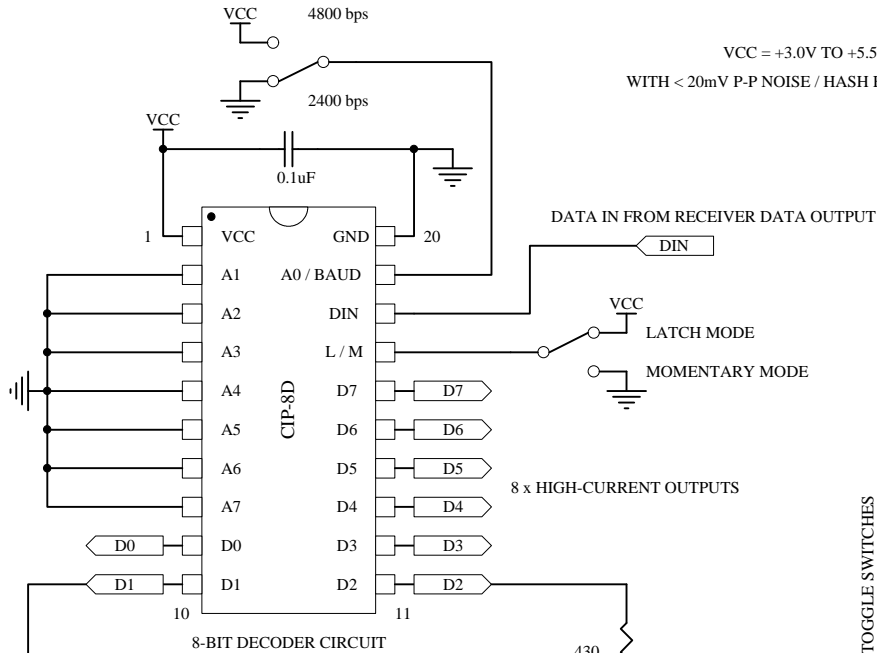
The CIP-8 encoder/decoder IC's are available for purchase online at: <http://www.rentron.com>

CIP-8E / CIP-8D 8-BIT ENCODER / DECODER EXAMPLES

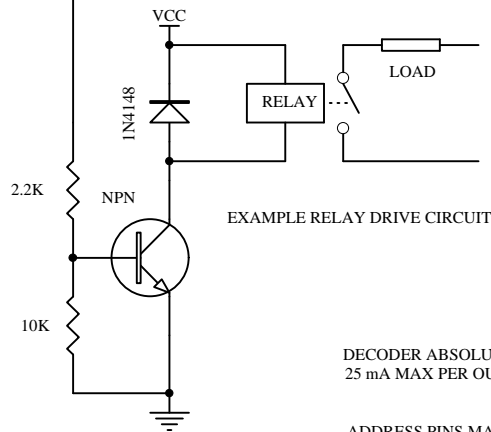
NOTE: ALL ADDRESS PINS MUST BE AT GROUND OR VCC
DO NOT ALLOW TO FLOAT

THE SINGLE IC SOLUTION FOR BOTH REMOTE CONTROL TRANSMITTER AND RECEIVER
8-BITS ADDRESS / DATA WITH UP TO 25mA PER DECODER OUTPUT

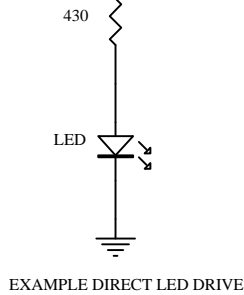
VCC = +3.0V TO +5.5V DC
WITH < 20mV P-P NOISE / HASH FOR BEST RESULTS



8-BIT DECODER CIRCUIT



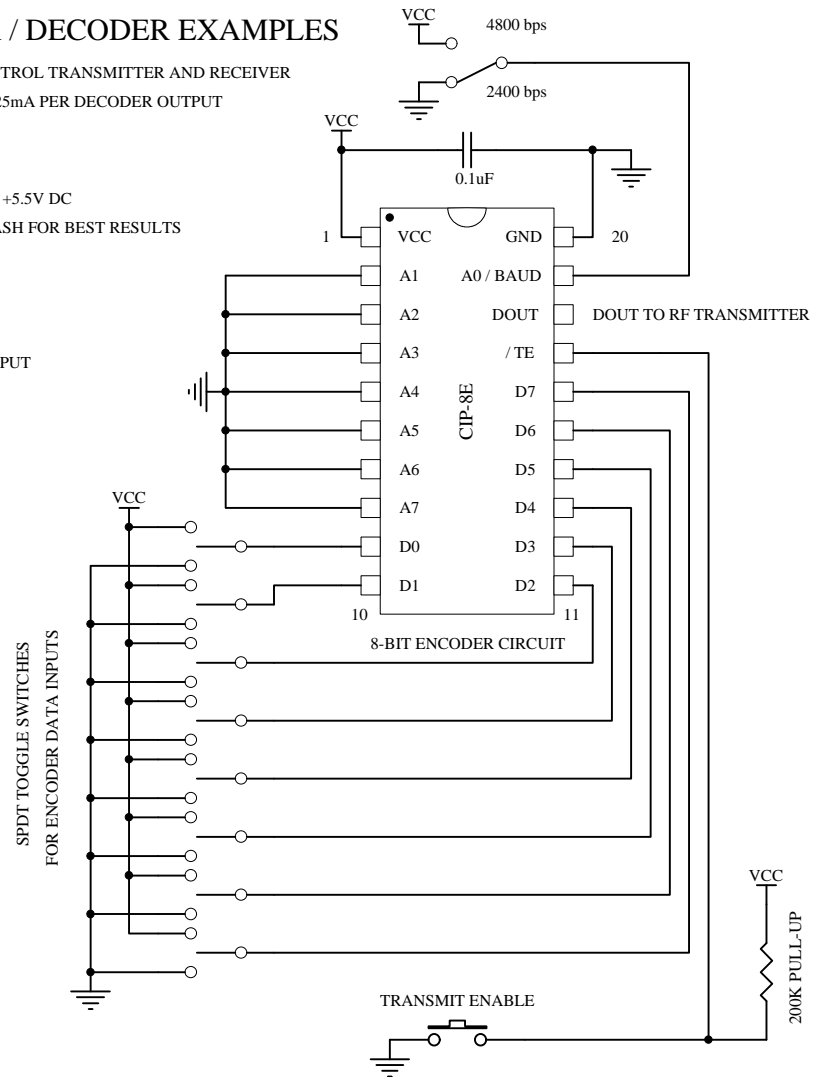
EXAMPLE RELAY DRIVE CIRCUIT



EXAMPLE DIRECT LED DRIVE

DECODER ABSOLUTE MAX DRIVE CURRENT:
25 mA MAX PER OUTPUT PIN | SINK OR SOURCE | 200 mA MAX (ALL COMBINED)

ADDRESS PINS MAY BE CONNECTED TO GROUND, VCC, OR ANY COMBINATION
OF GROUND & VCC, AND SHOULD NOT BE ALLOWED TO FLOAT



GROUNDING /TE PIN INITIATES DATA TRANSMISSION
USE 100K TO 200K EXTERNAL PULL-UP AS SHOWN ABOVE

Title			SAMPLE ENCODER / DECODER CIRCUIT SCHEMATICS FOR 8-BIT "CIP-8E" ENCODER & "CIP-8D" DECODER IC's		
Size	Number	Revision		A.1	
Orcad A	CIP-8E / CIP-8D				
Date:	7-Nov-2006	Sheet of	1 of 1		
File:	C:\CAD\SCHEMATICS.Ddb	Drawn By:	B. REYNOLDS		