

1

2

3

4

5

6

A

A

B

B

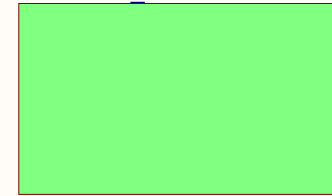
C

C

D

D

SH1
C587-101_S1.SchDoc



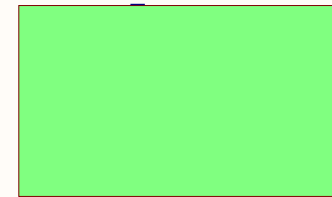
SH2
C587-101_S2.SchDoc



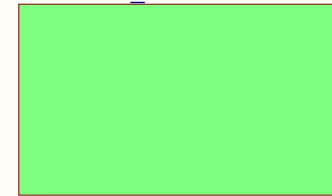
SH3
C587-101_S3.SchDoc




SH4
C587-101_S4.SchDoc



SH5
C587-101_S5.SchDoc



Title		<i>MCEv2 Instrument Backplane</i>		University of British Columbia	
Size: B	Number: ELE-C587-101	Revision: B	Department of Physics & Astronomy		
Date: 2011-01-05	Time: 1:00:13 PM	Sheet 0 of 5	MCEv2 Project		
File: C587-101_S0.SchDoc			6224 Agricultural Road		
				Vancouver BC V6T 1Z1 Canada	
					

1

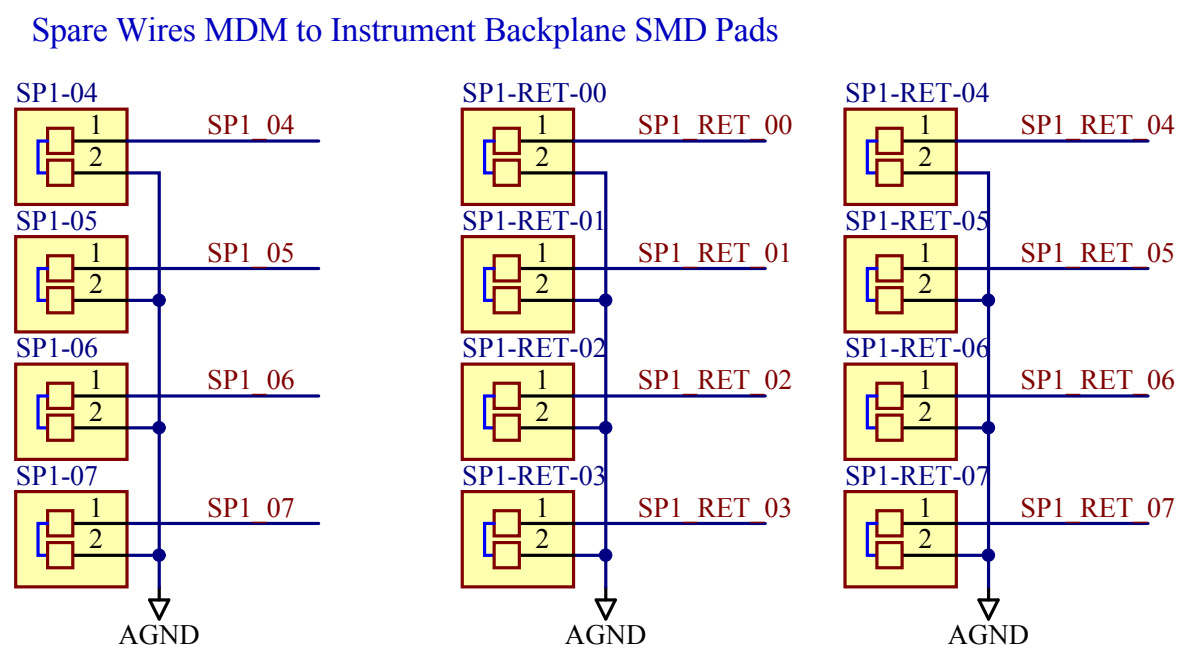
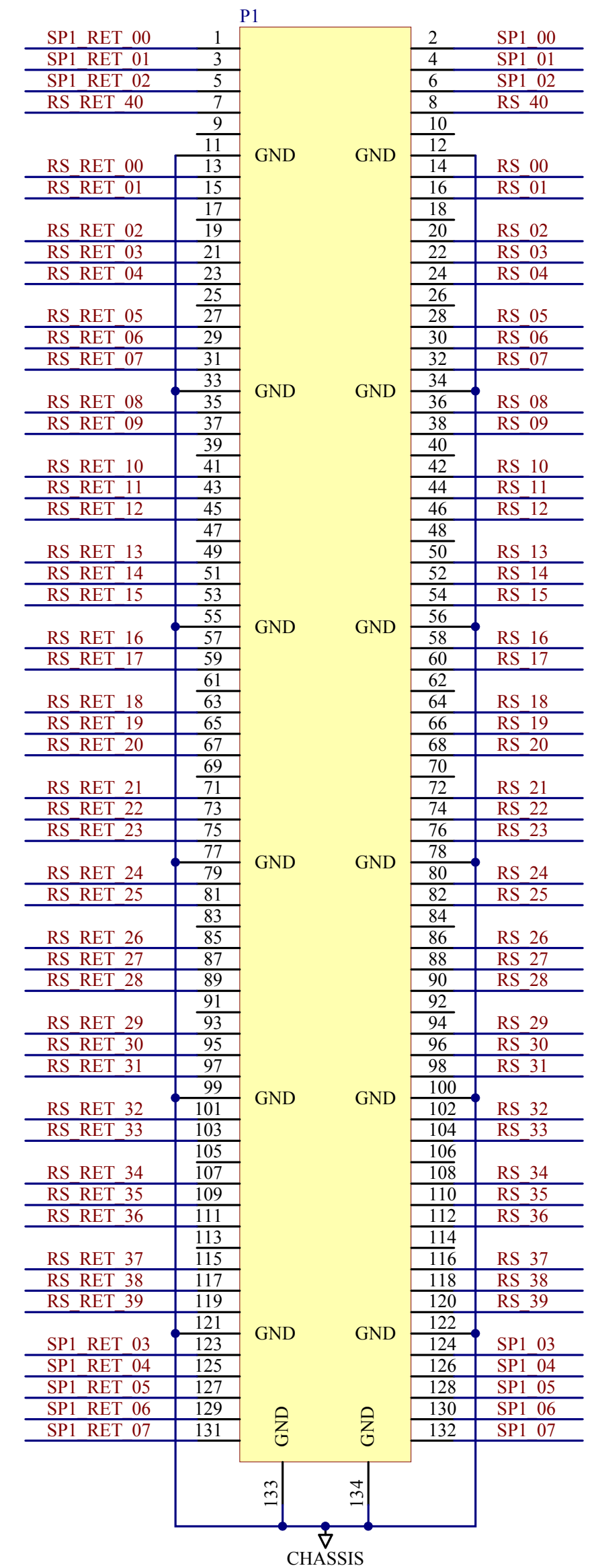
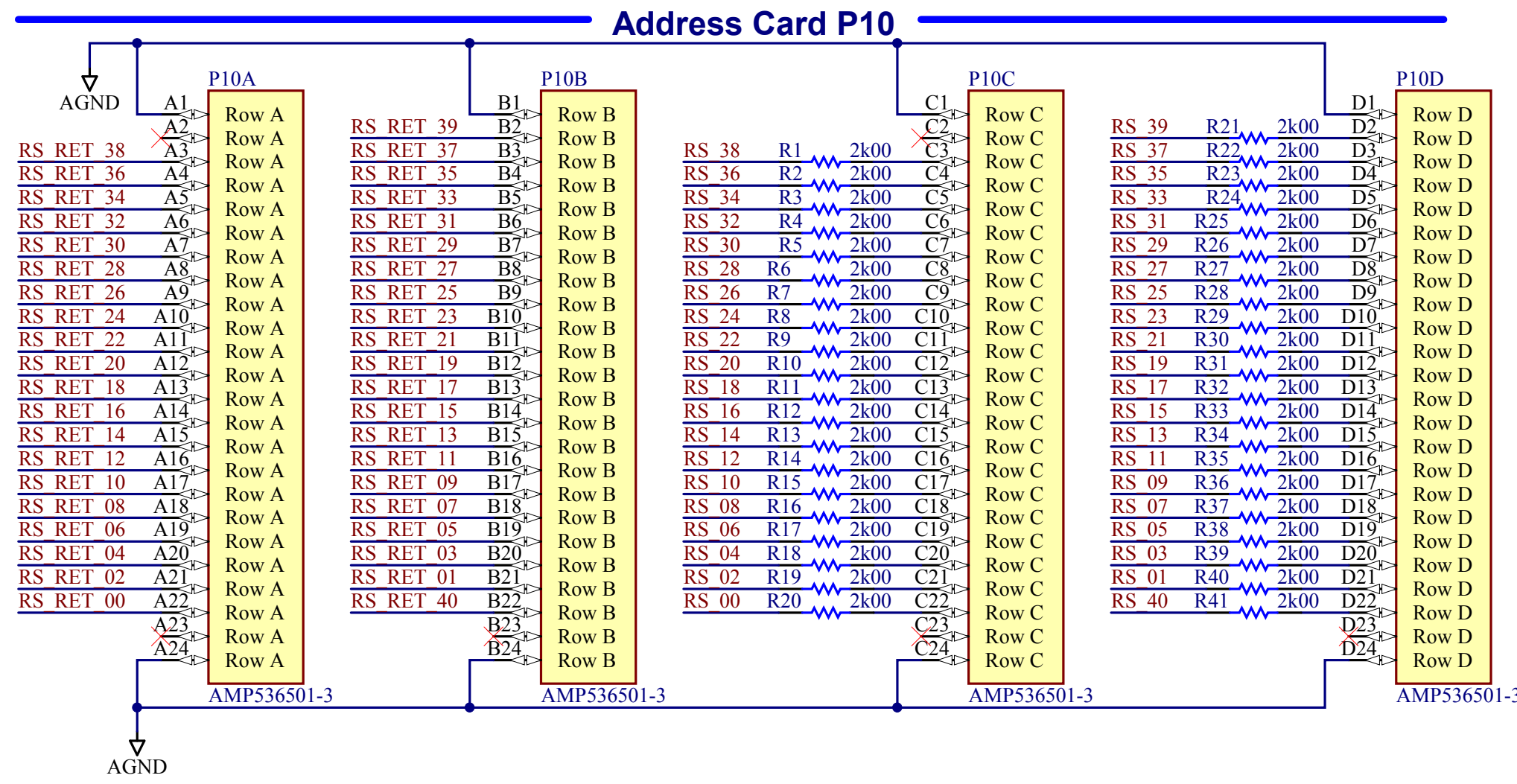
2

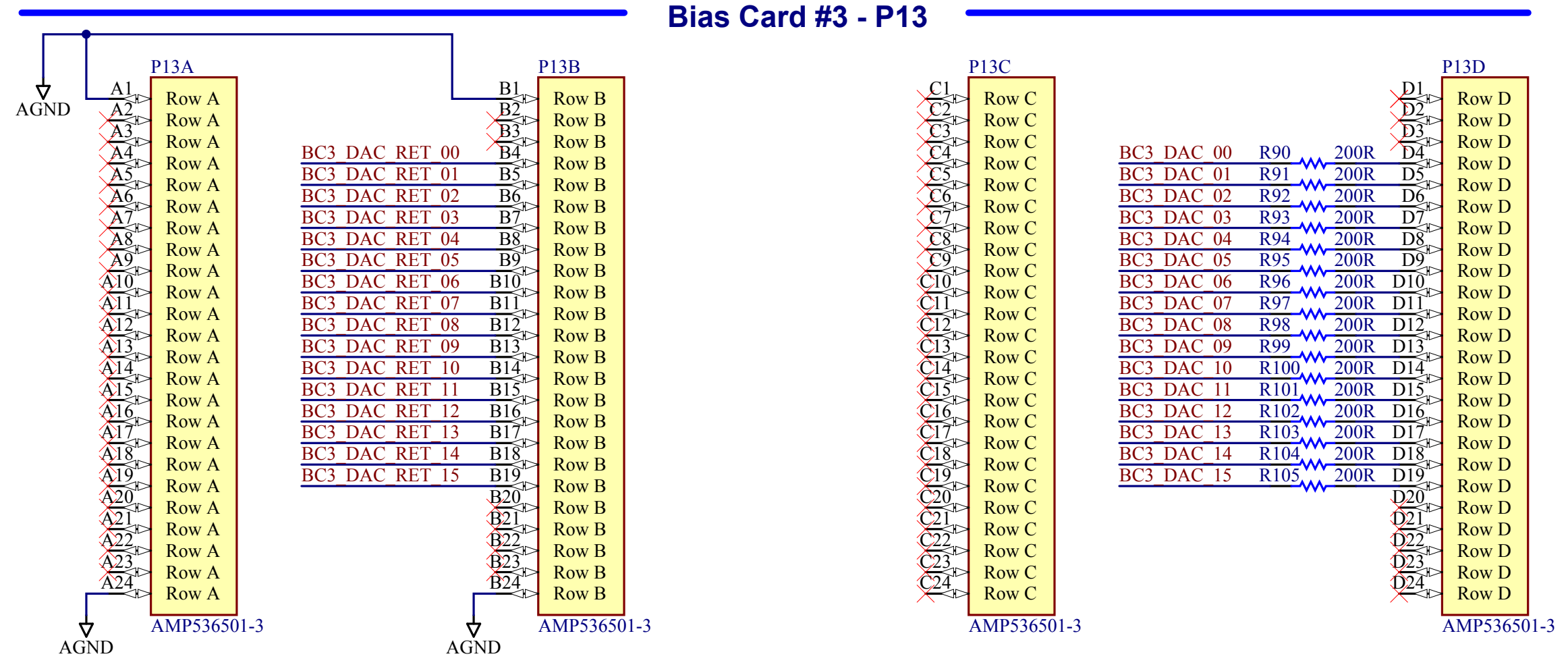
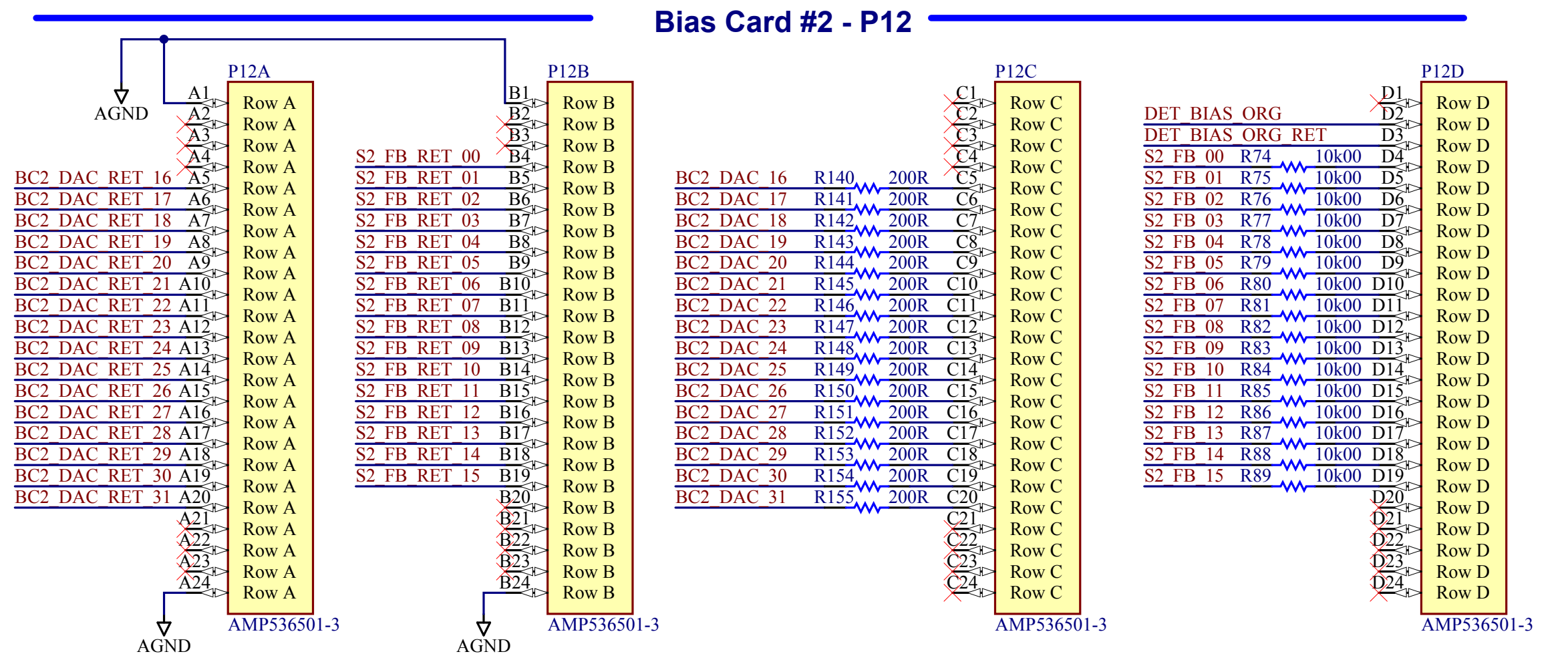
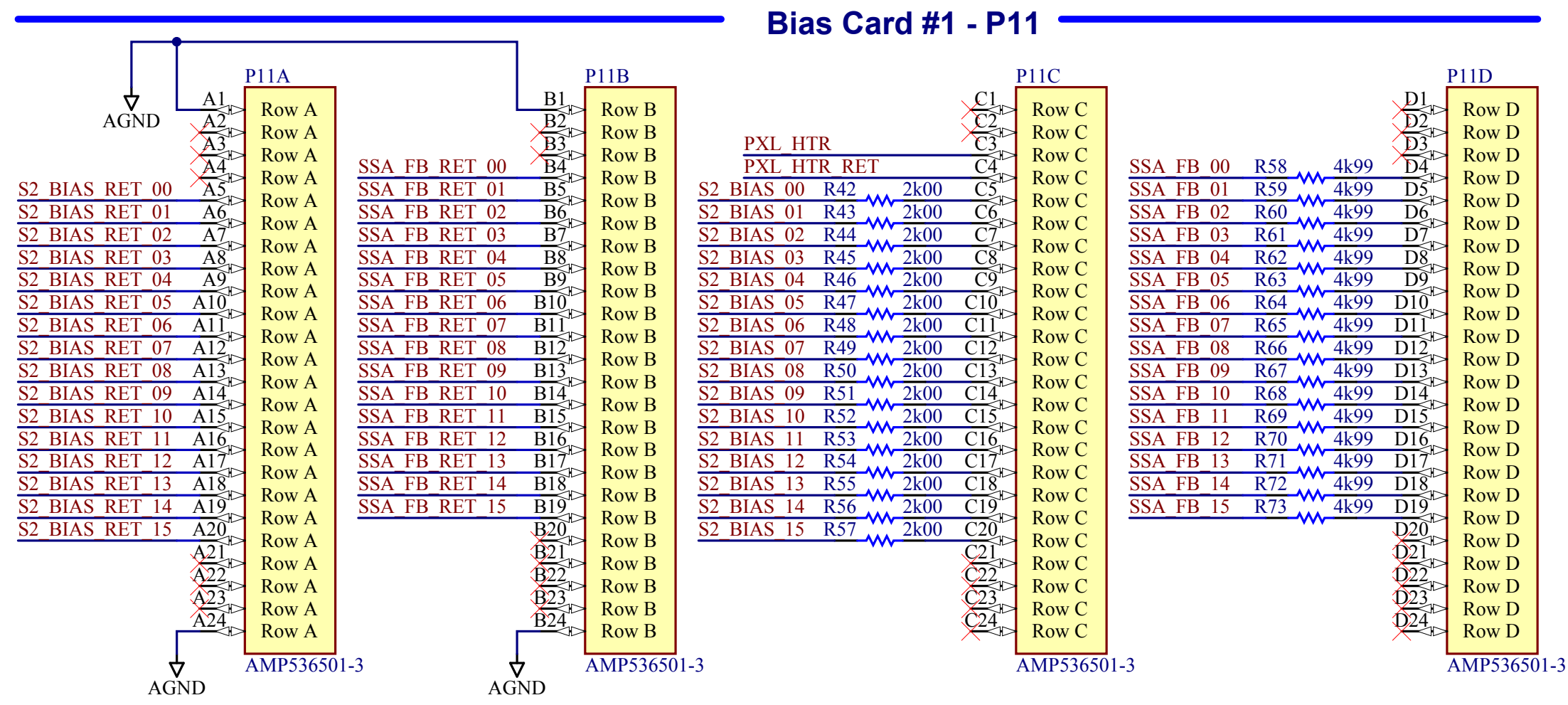
3

4

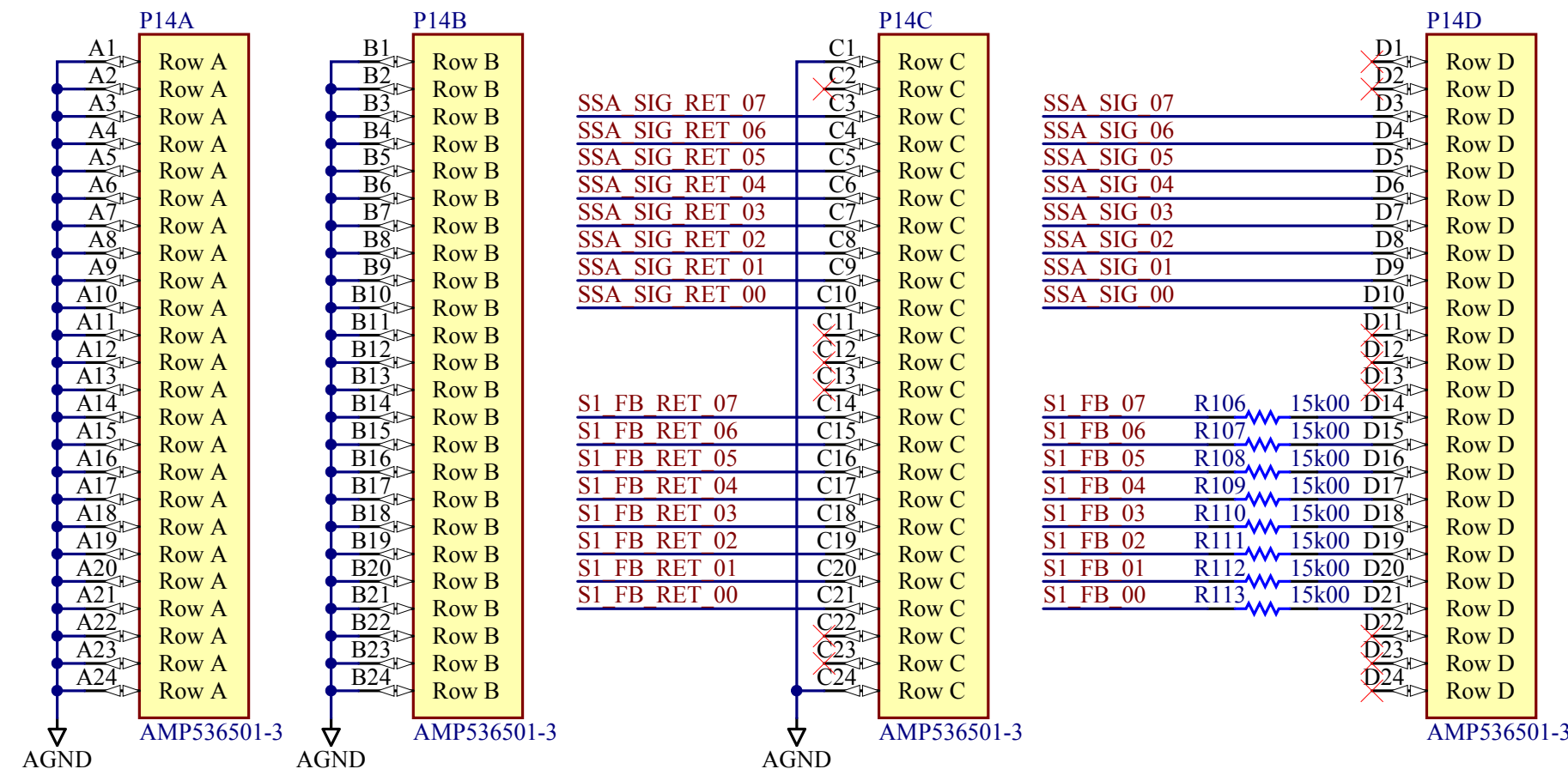
5

6



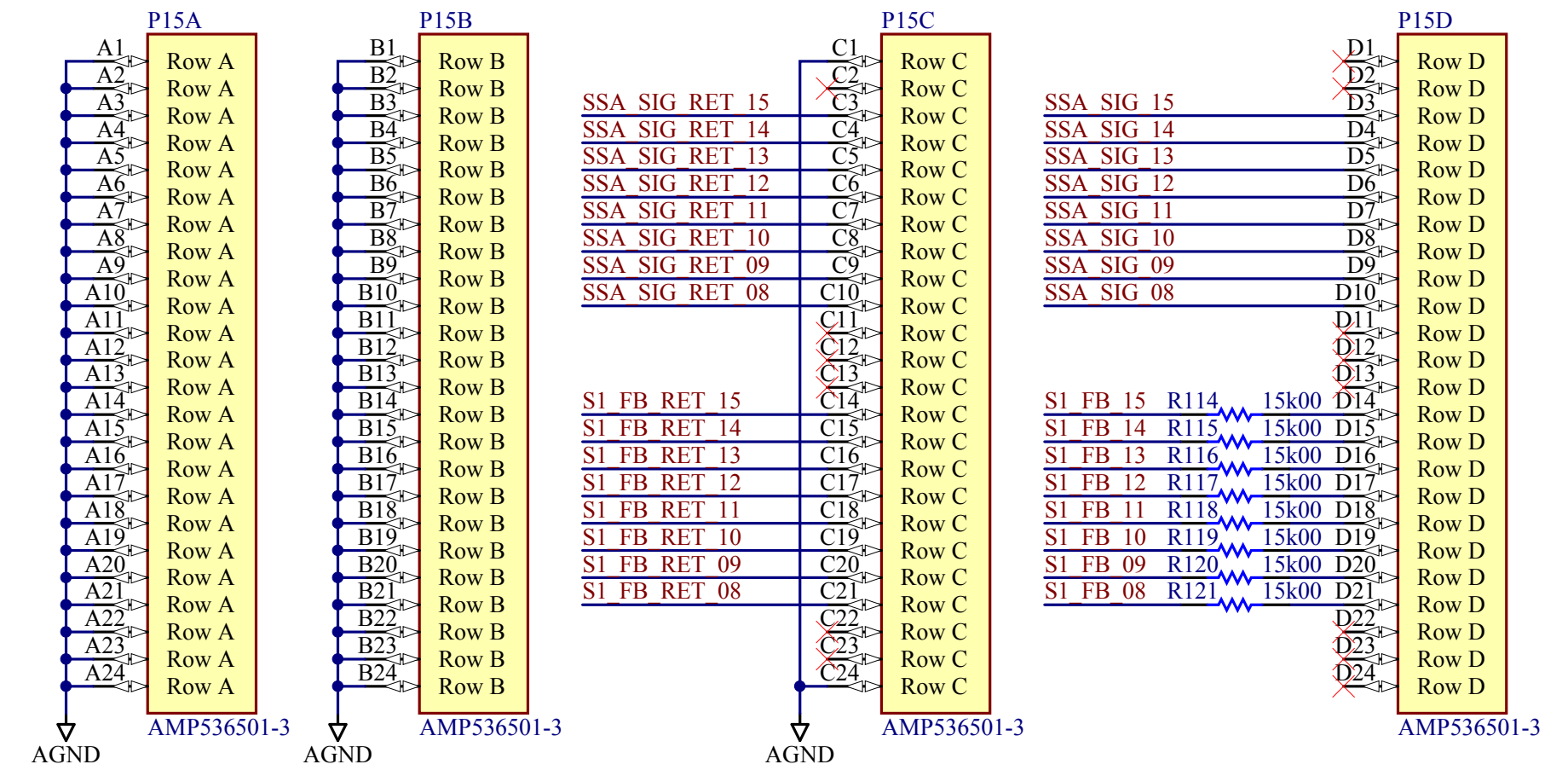


Readout Card #1 - P14



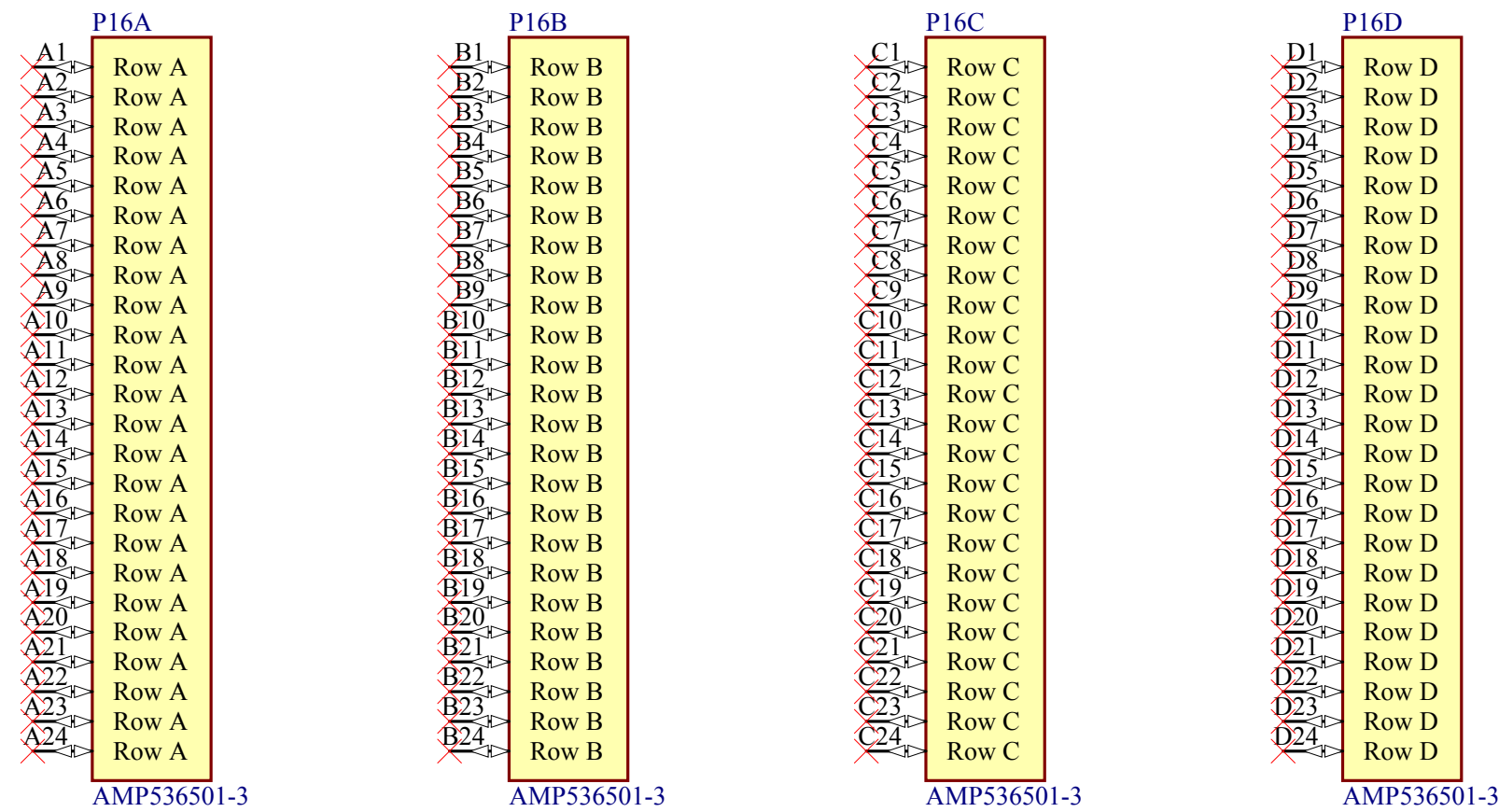
SSA_SIG_nn Signals are Outputs from Array (Inputs on Readout Cards)
 SI_FB_nn Signals are Inputs to Array (Outputs on Readout Cards)

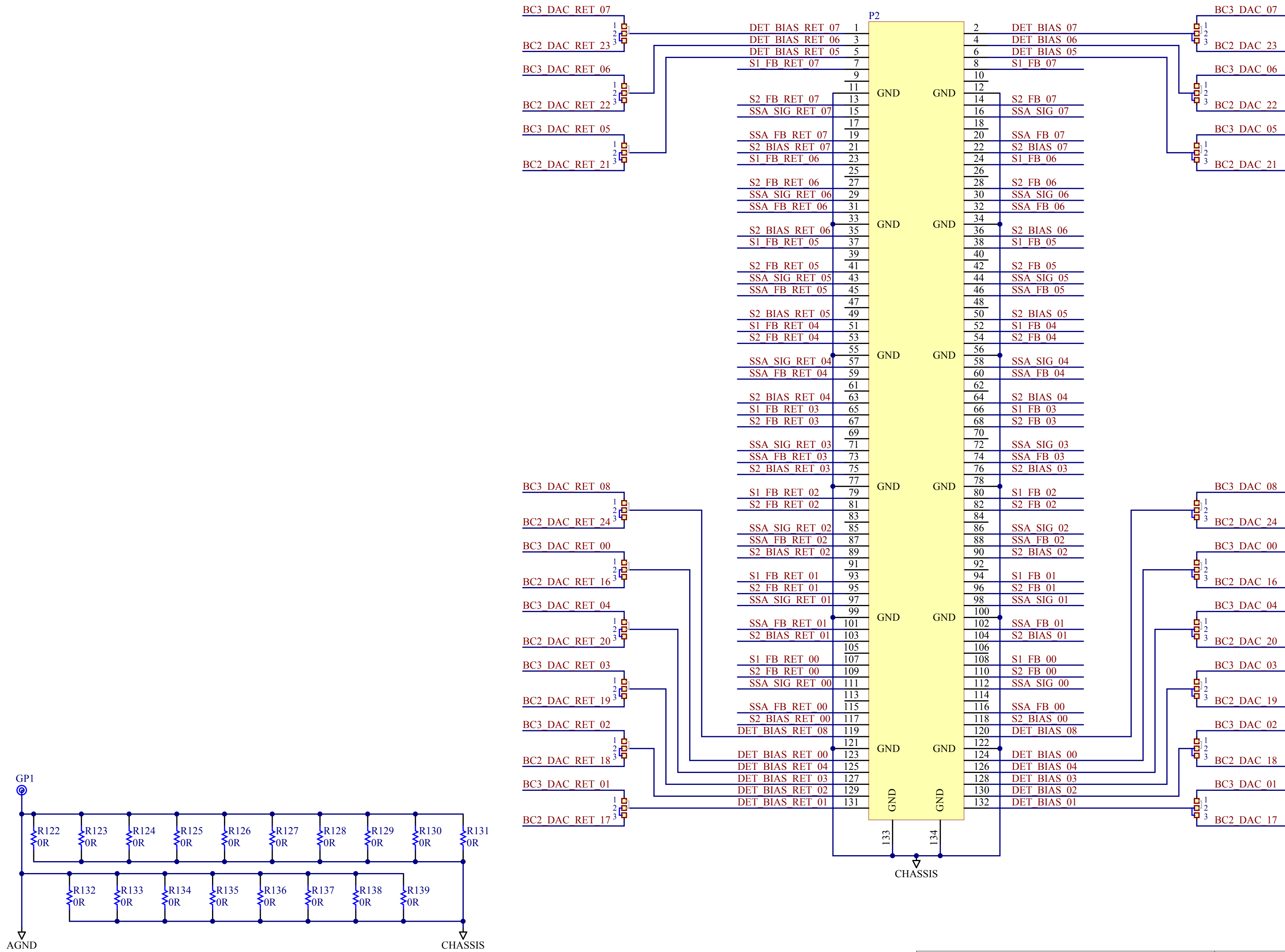
Readout Card #2 - P15

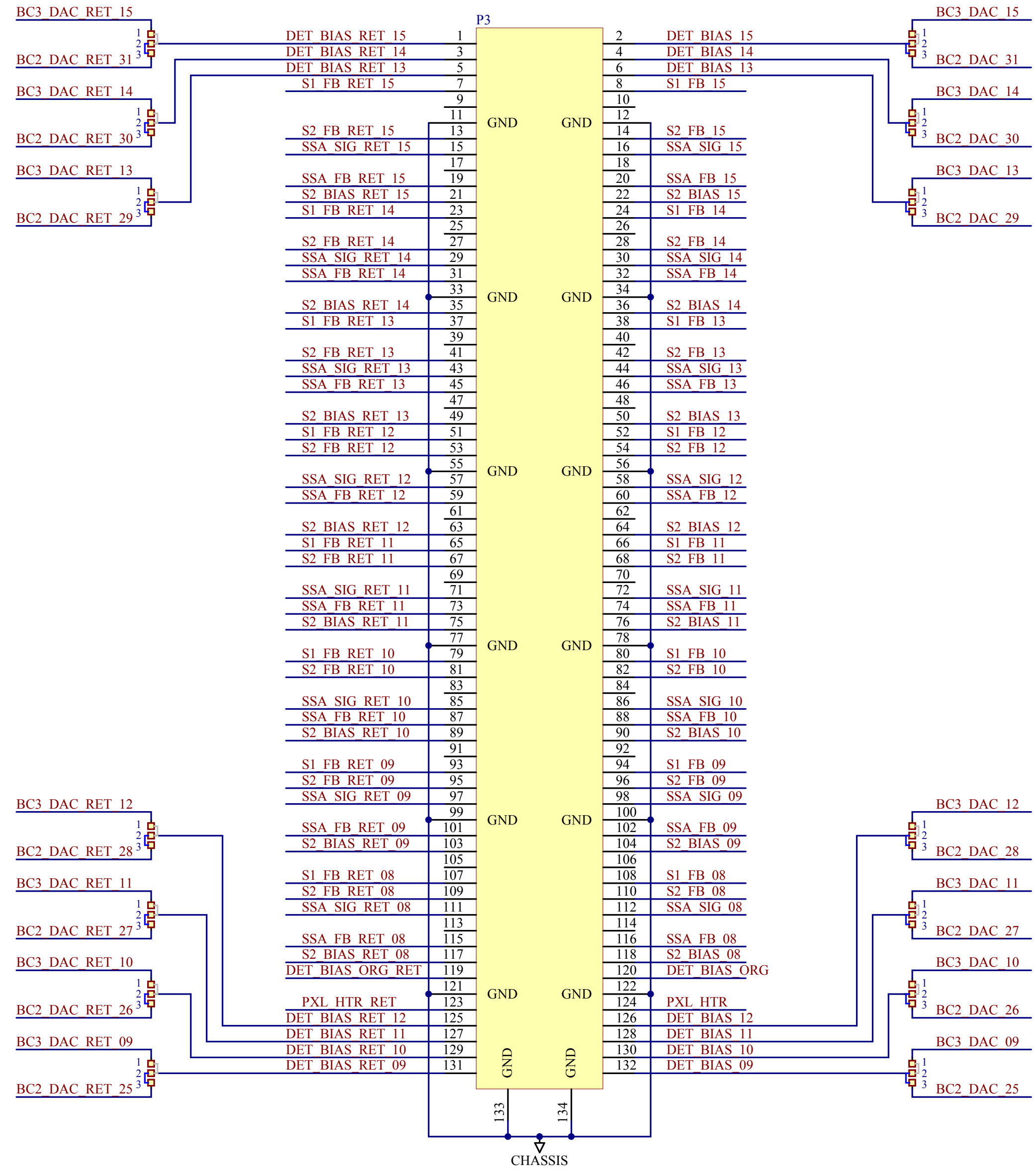


SSA_SIG_nn Signals are Outputs from Array (Inputs on Readout Cards)
 SI_FB_nn Signals are Inputs to Array (Outputs on Readout Cards)


Clock Card - P16







PCB Part Number for BOM: 002352 PCB
 Use UBC Logo
 Add Fiducial Point
 Add Fiducial Point

Title MCEv2 3MDM Instrument Backplane		University of British Columbia Department of Physics & Astronomy MCEv2 Project 6224 Agricultural Road Vancouver BC V6T 1Z1 Canada		
Size: B	Number: ELE-C587-101	Revision: C Issue 2		
Date: 2011-01-05	Time: 1:00:14 PM	Sheet 5 of 5		
File: C587-101_S5.SchDoc				