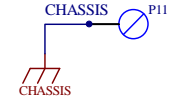
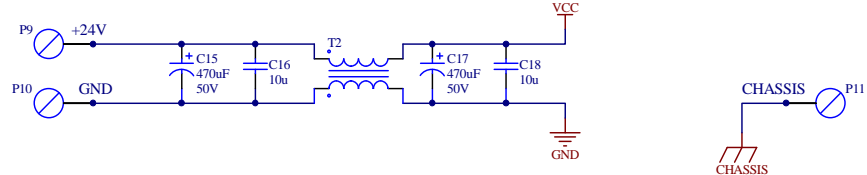


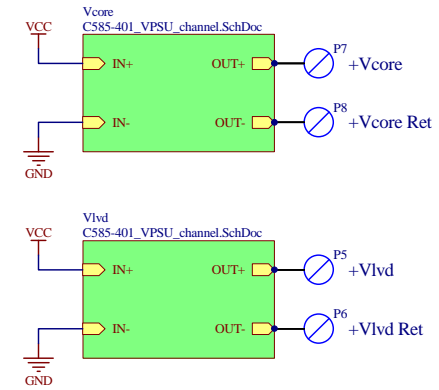
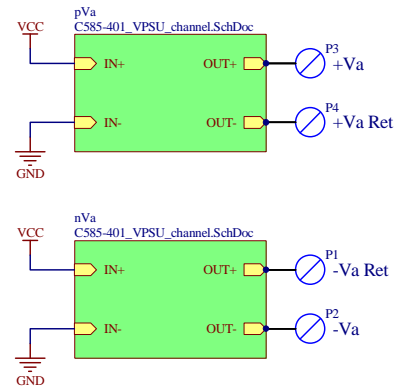
Title		Vicor Power Supply Unit		University of British Columbia	
Size: B		Number: ELE_Cxxx_xxx		Physics & Astronomy Department	
Date: 30/09/2010		Time: 10:48:32		MCE Project Lab	
File: C585-401_VPSU_channel.SchDoc		Revision: B		6224 Agricultural Road	
		Sheet 1 of n		Vancouver BC V6T 1Z1 Canada	



Place six mounting holes with an exposed copper annulus for electrical connectivity between screws and chassis ground. The screws should fasten the board to standoffs which are mounted to the chassis ground plate. Chassis ground should be an internal layer connected with several vias to the copper annulus around the mounting holes.



Spacer 0.5" M3 Clearance Nickel-Brass Type: Hardware Manufacturer: Keystone Part Number: 5062-2 Mech1	Spacer 0.5" M3 Clearance Nickel-Brass Type: Hardware Manufacturer: Keystone Part Number: 5062-2 Mech2
Spacer 0.5" M3 Clearance Nickel-Brass Type: Hardware Manufacturer: Keystone Part Number: 5062-2 Mech3	Spacer 0.5" M3 Clearance Nickel-Brass Type: Hardware Manufacturer: Keystone Part Number: 5062-2 Mech4
Spacer 0.5" M3 Clearance Nickel-Brass Type: Hardware Manufacturer: Keystone Part Number: 5062-2 Mech5	Spacer 0.5" M3 Clearance Nickel-Brass Type: Hardware Manufacturer: Keystone Part Number: 5062-2 Mech6
Spacer 0.5" M3 Clearance Nickel-Brass Type: Hardware Manufacturer: Keystone Part Number: 5062-2 Mech7	Spacer 0.5" M3 Clearance Nickel-Brass Type: Hardware Manufacturer: Keystone Part Number: 5062-2 Mech8



PCB Part Number for BOM:
002321 PCB
Use UBC Logo

Vicor Power Supply Unit		University of British Columbia Physics & Astronomy Department MCE Project Lab 6224 Agricultural Road Vancouver BC V6T 1Z1 Canada		
Title:	Number: ELE_Cxxx_xxx	Revision: B	Sheet 1 of n	
Date: 30/09/2010	Time: 10:48:32	File: CS85-401_VPSU.SchDoc	Sheet 1 of n	
File: CS85-401_VPSU.SchDoc			Sheet 1 of n	