

1 2 3 4 5 6

A

A

B

B

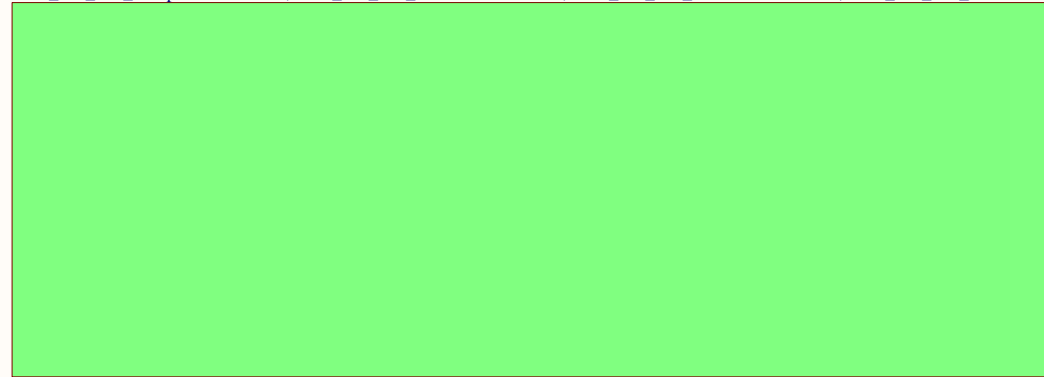
C

C

D

D

AC Master Sheet  
S584\_101\_S02\_backplane.SCHDOC; S584\_101\_S03\_dac00-07.SCHDOC; S584\_101\_S04\_dac08-15.SCHDOC; S584\_101\_S05\_dac16-23.SCHDOC; S584\_101\_S06\_dac24-31.SCHDOC; S584\_101\_S07\_dac32-39.SCHDOC; S584\_101\_S12\_dacdark.SCHDOC; S584\_101\_S09\_fpga\_io.SCHDOC; S584\_101\_S10\_fpga\_io.SCHDOC; S584\_101\_S11\_fpga\_ctrl.SCHDOC;

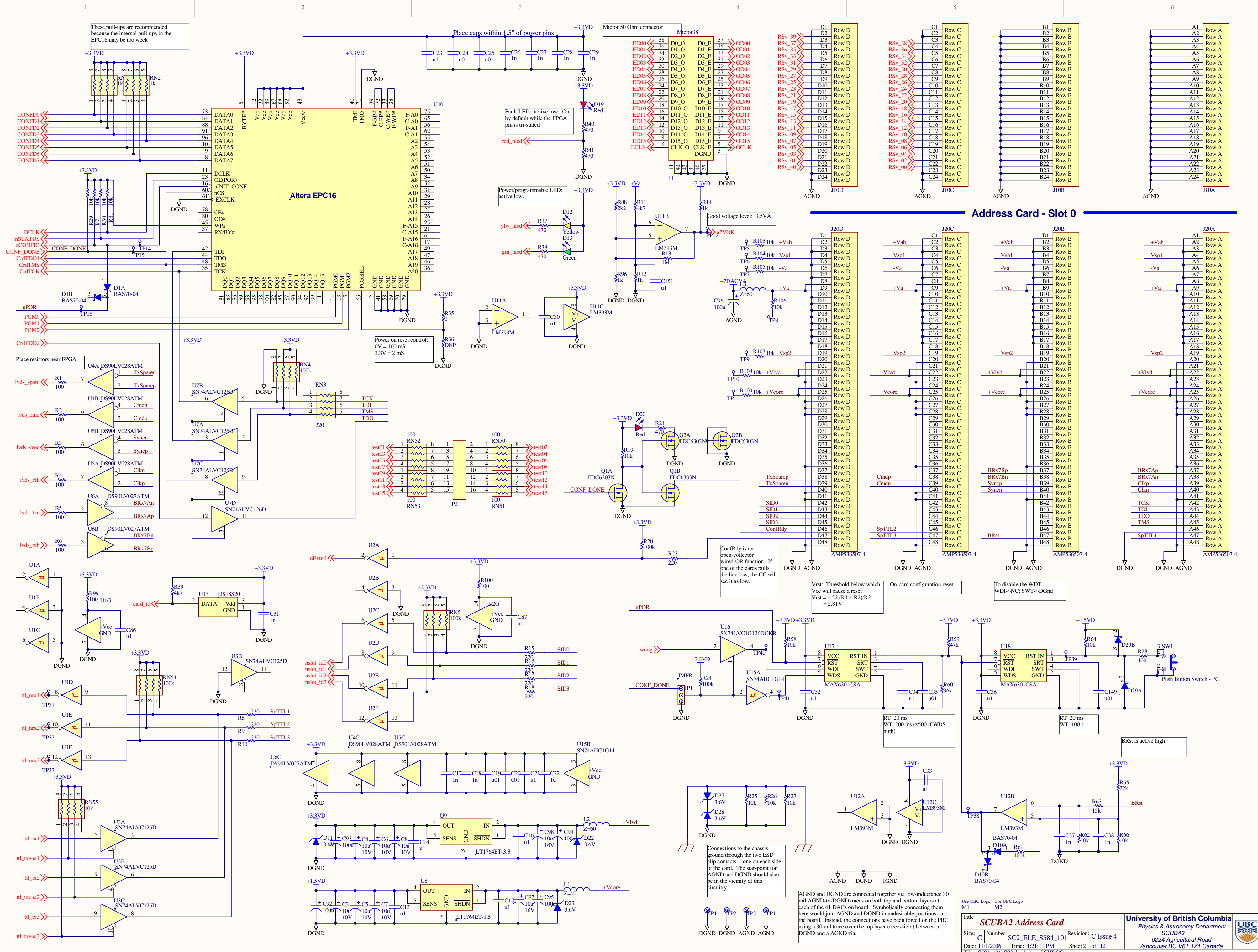


Title		<b>SCUBA2 Address Card</b>		University of British Columbia	
Size: C		Number: SC2_ELE_S584_101		Revision: C Issue 4	
Date: 11/1/2006		Time: 1:21:11 PM		Sheet 1 of 12	
File: S584_101_S01_top.SCHDOC				Physics & Astronomy Department SCUBA2 6224 Agricultural Road Vancouver BC V6T 1Z1 Canada	



1 2 3 4 5 6

?



**Address Card - Slot 0**

A

A

B

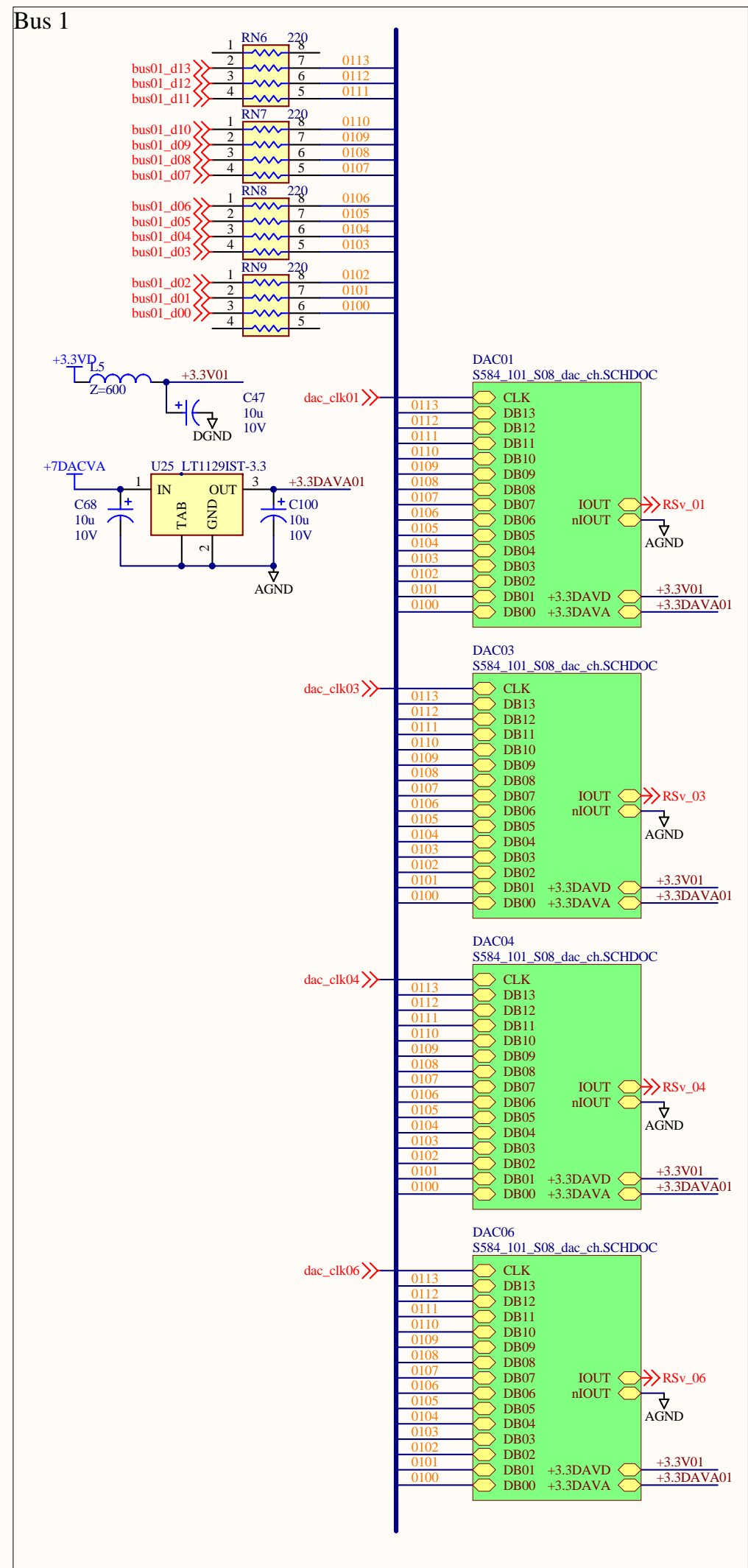
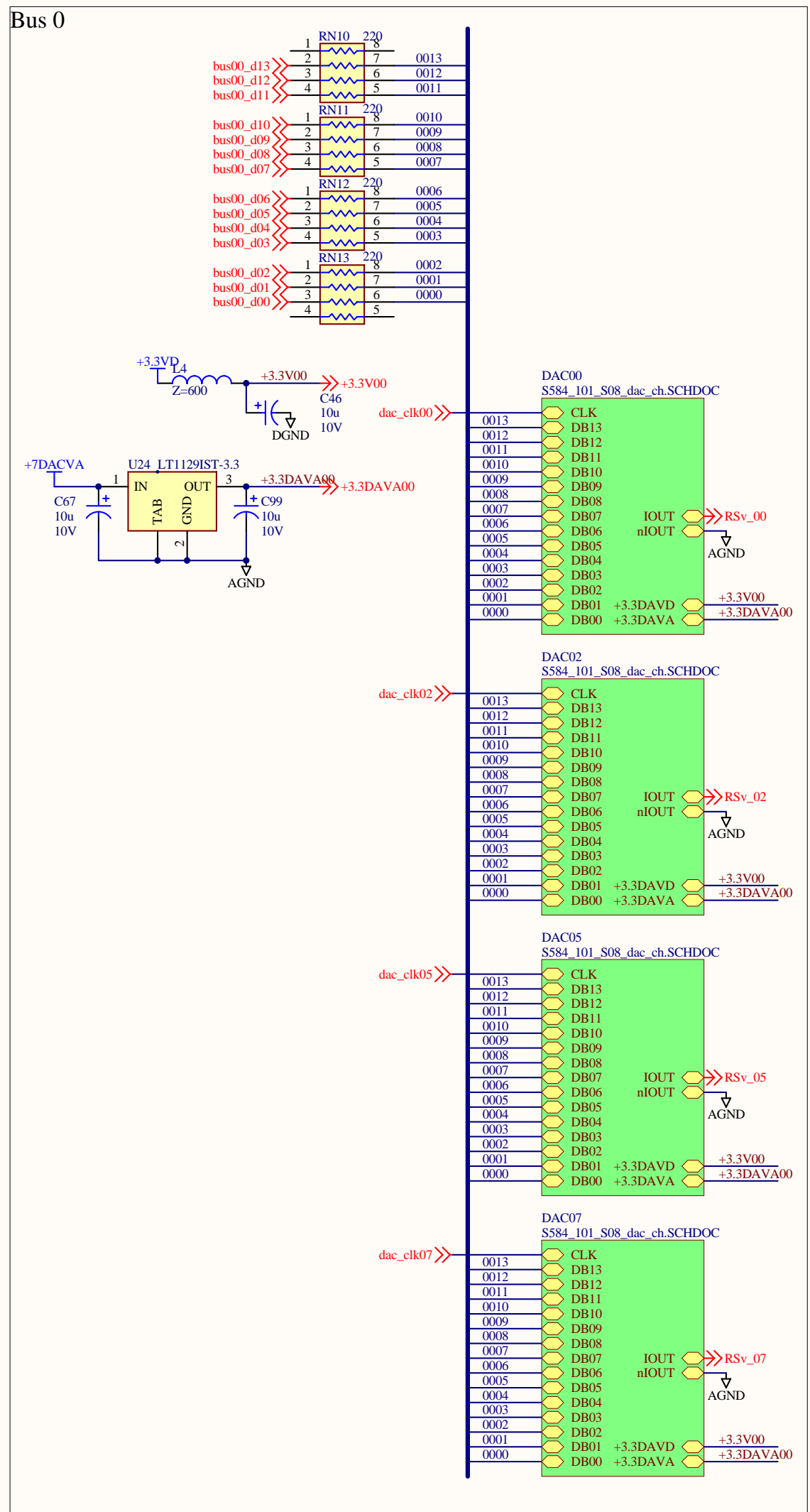
B

C

C

D

D



A

A

B

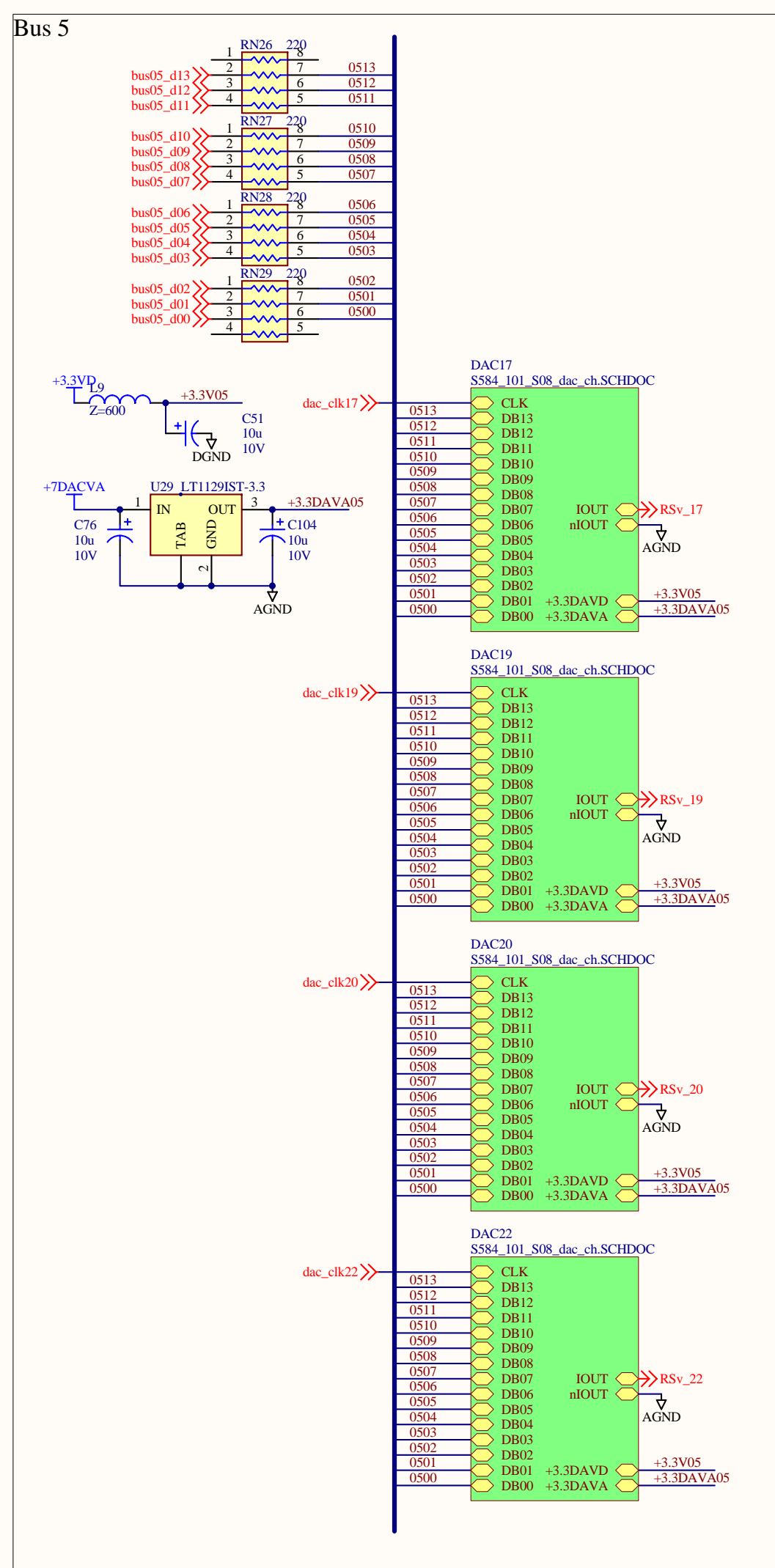
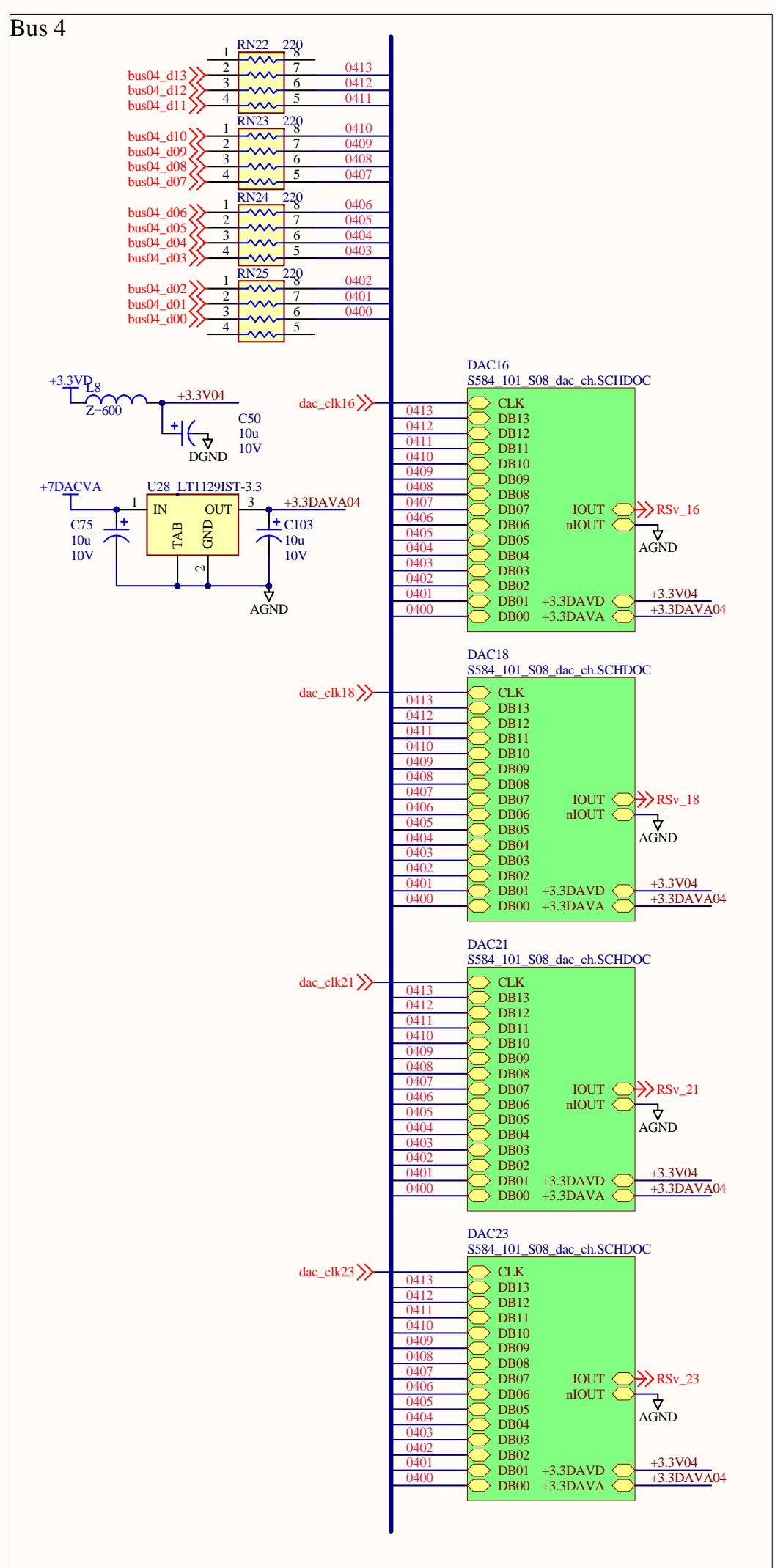
B

C

C

D

D



A

A

B

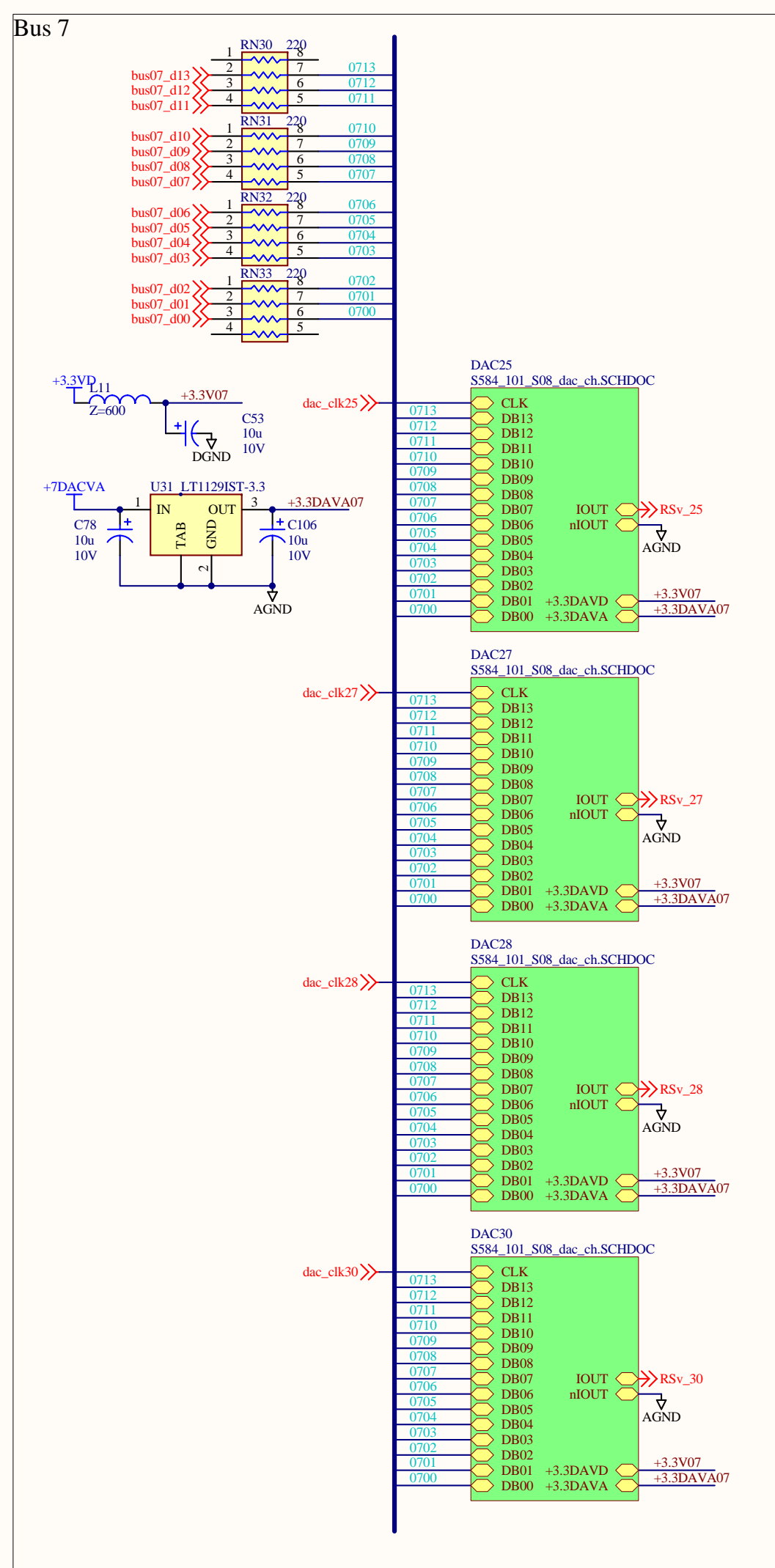
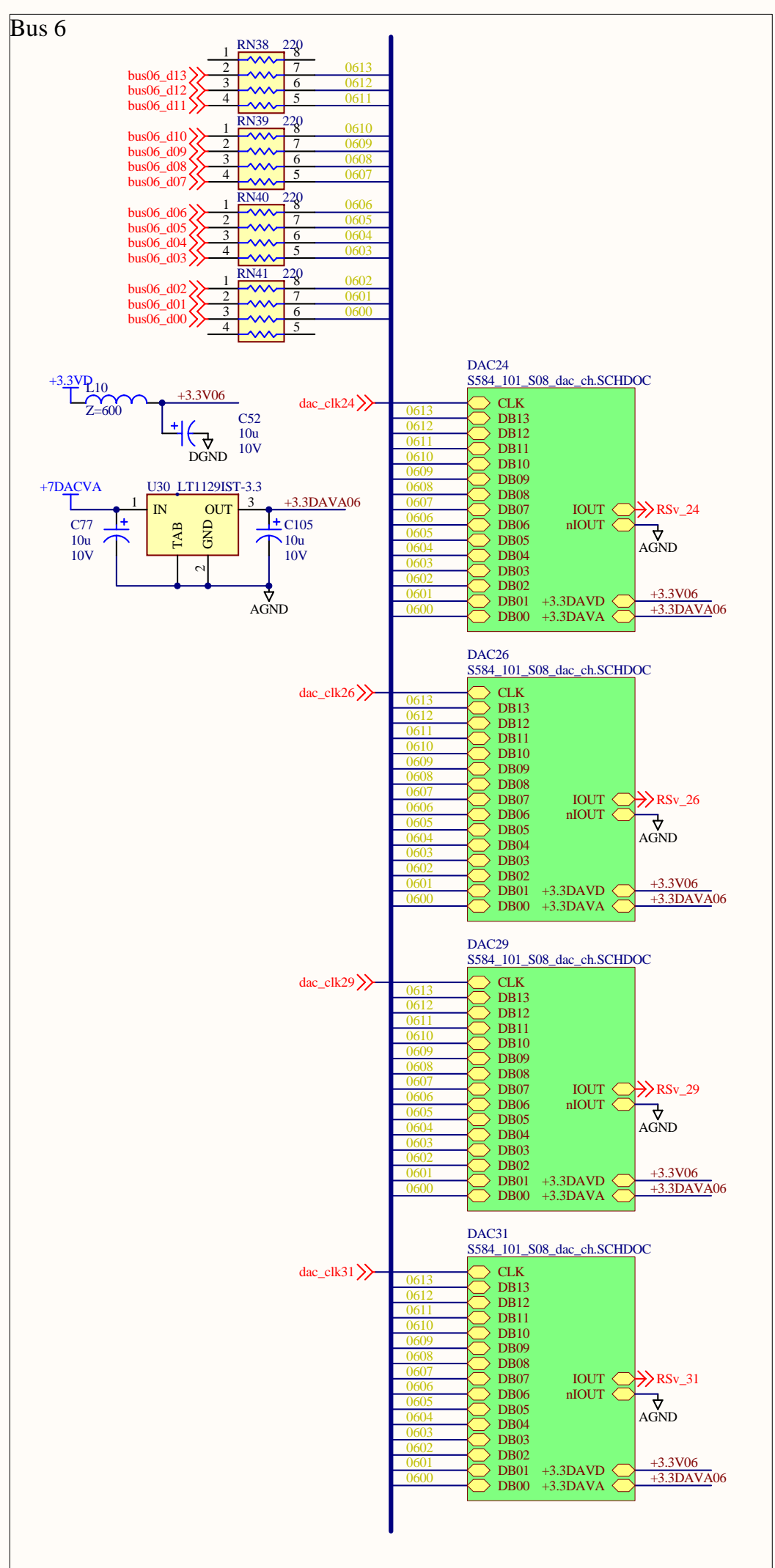
B

C

C

D

D



A

A

B

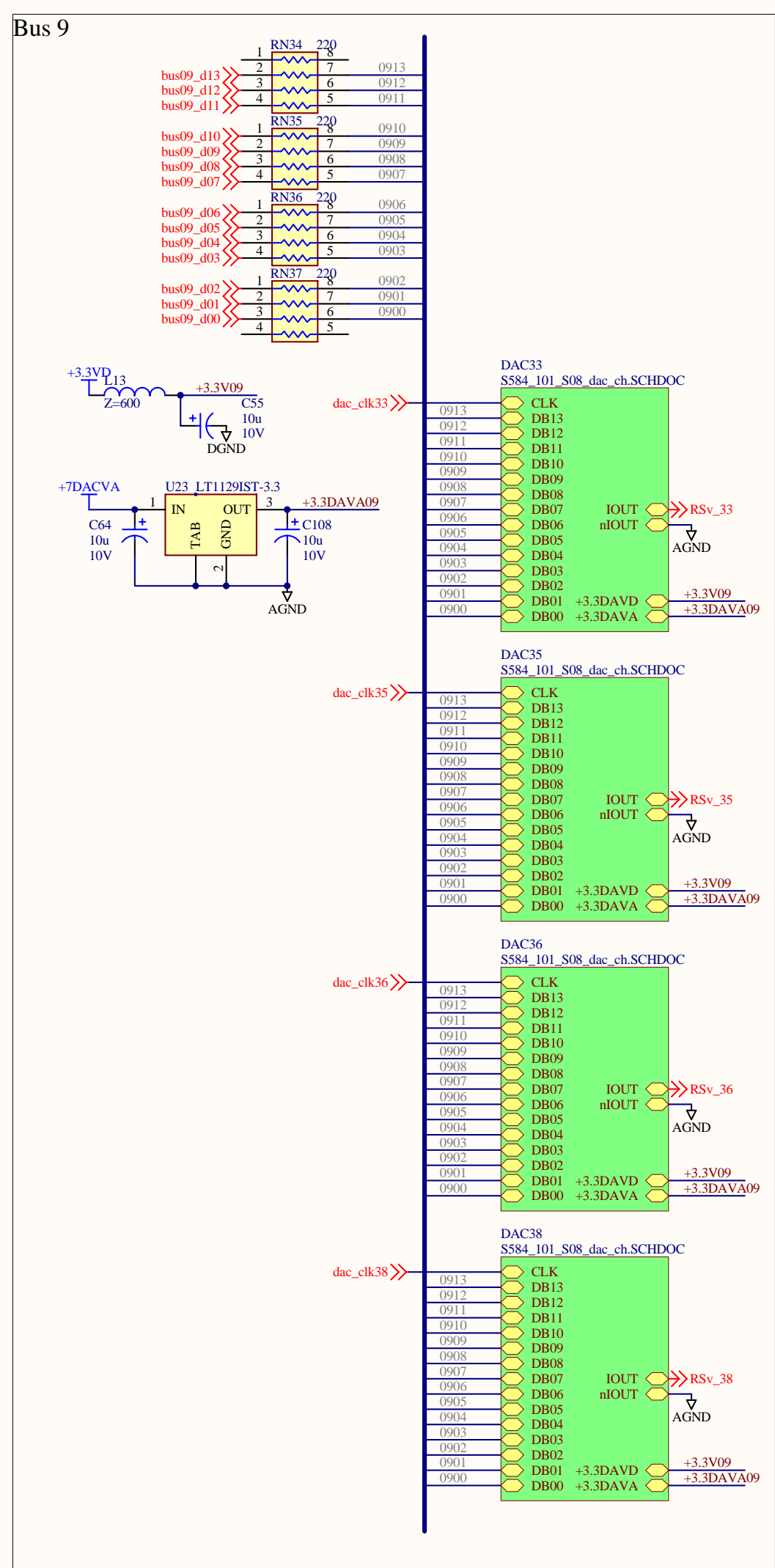
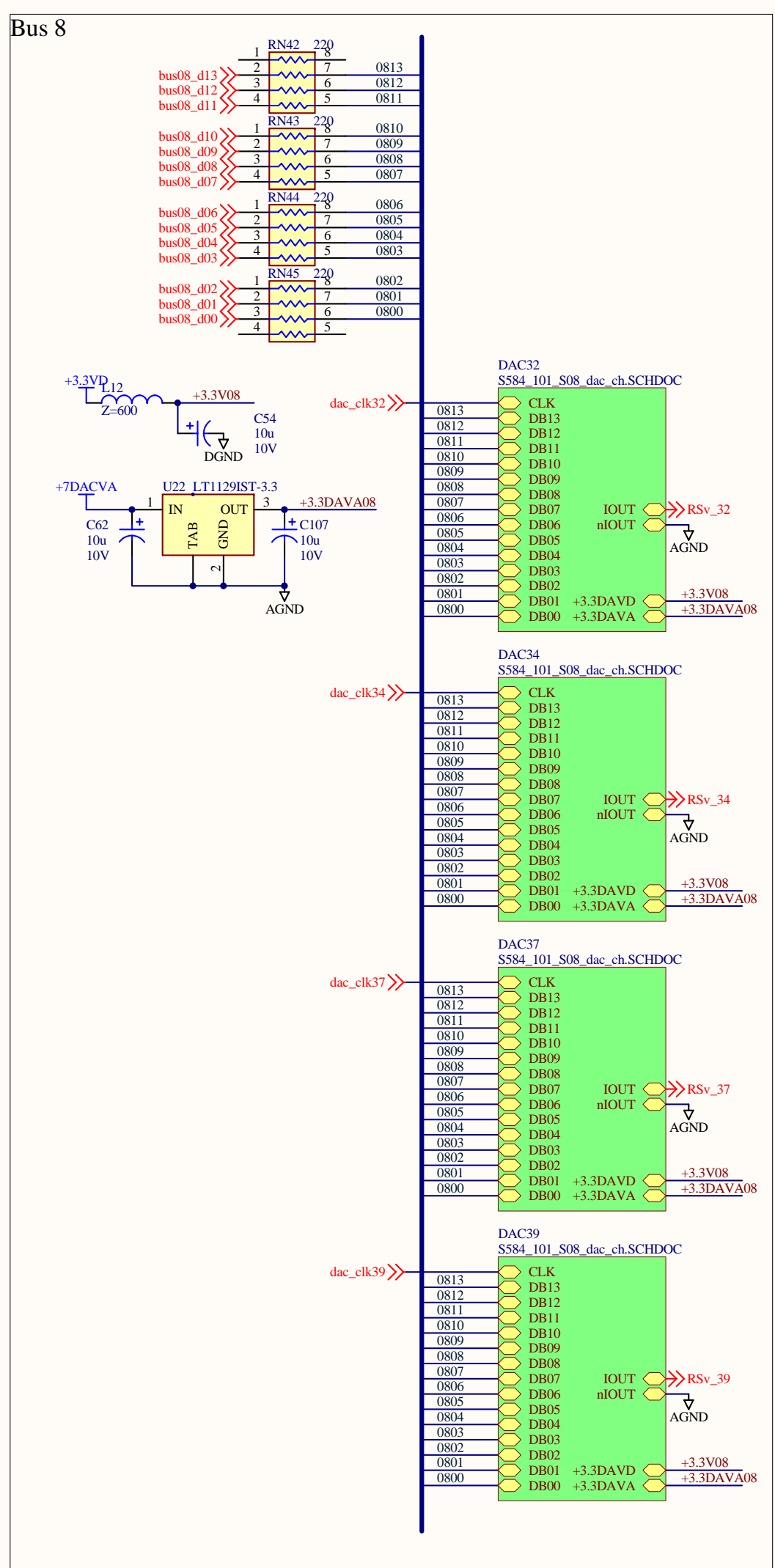
B

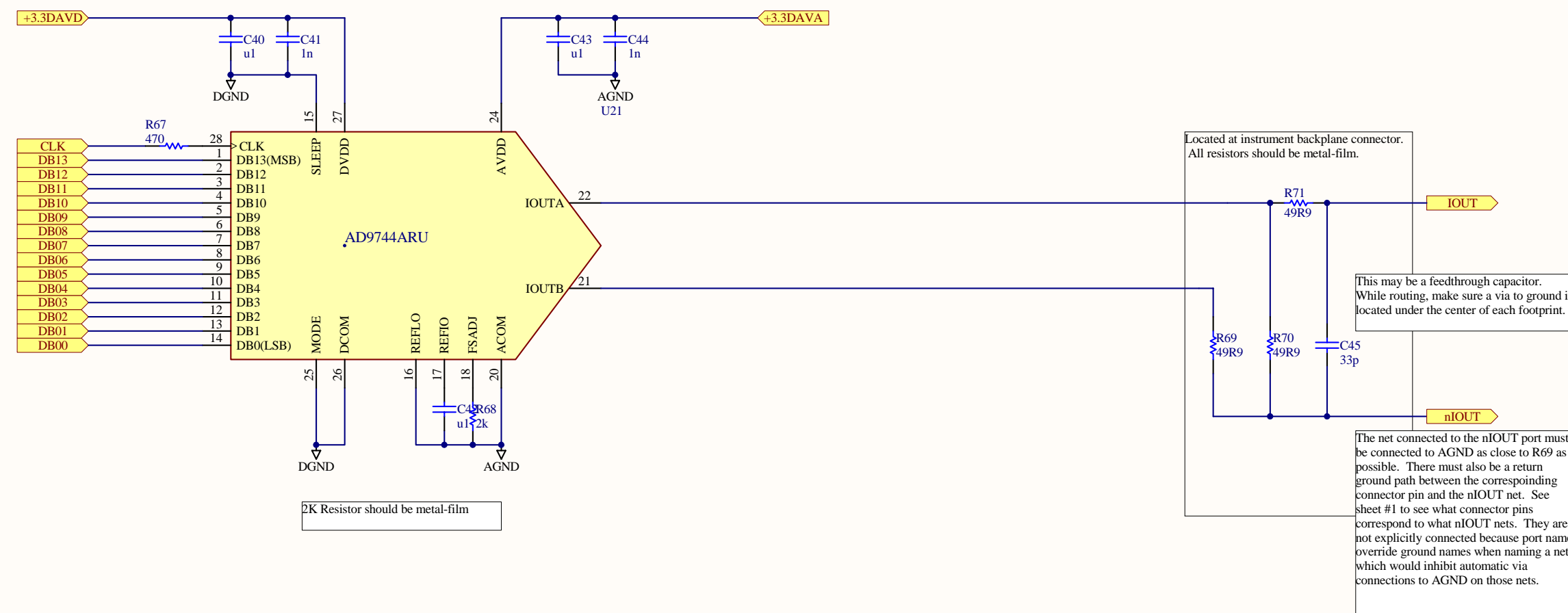
C

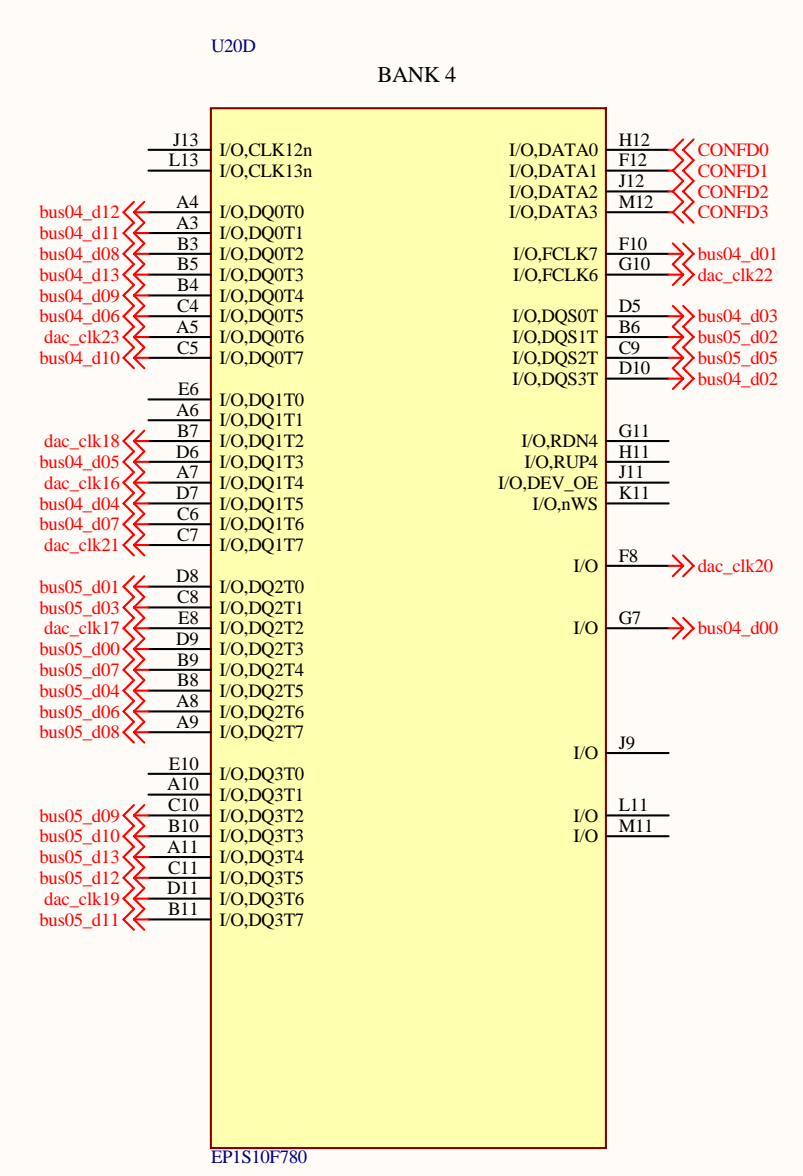
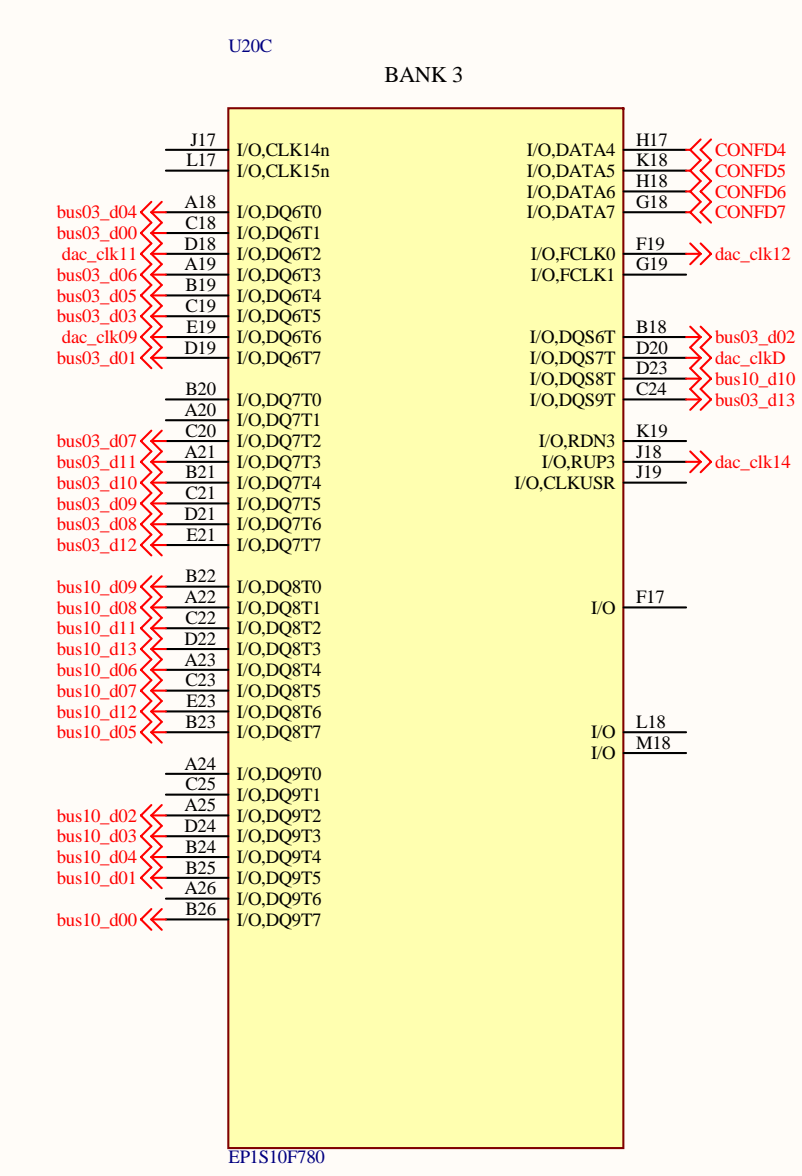
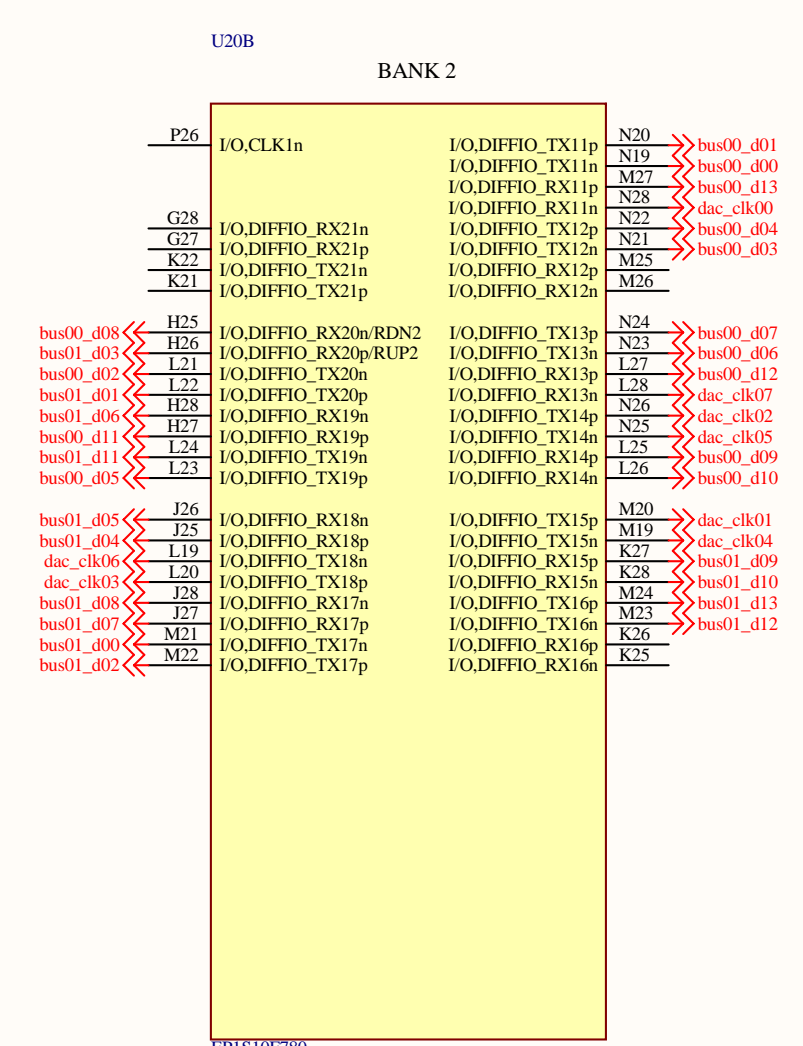
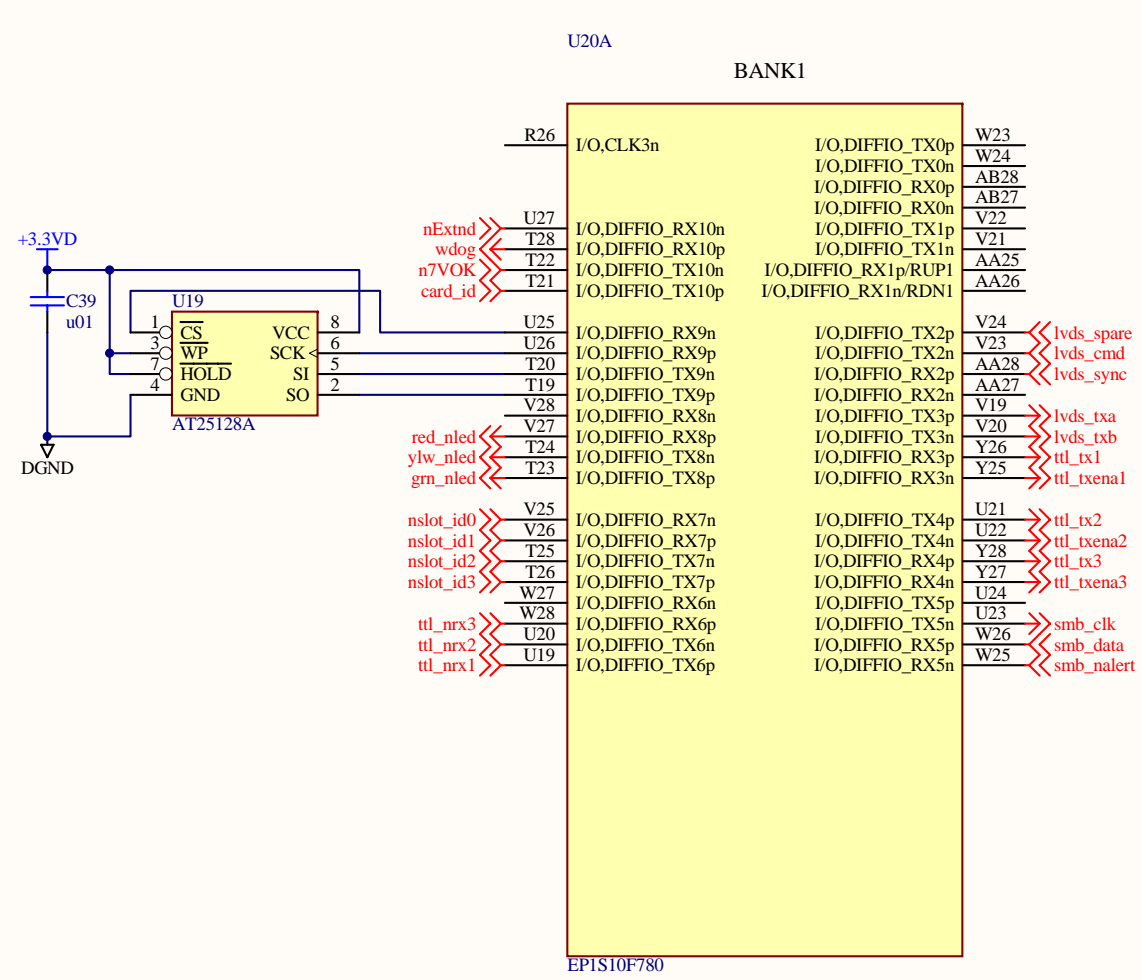
C

D

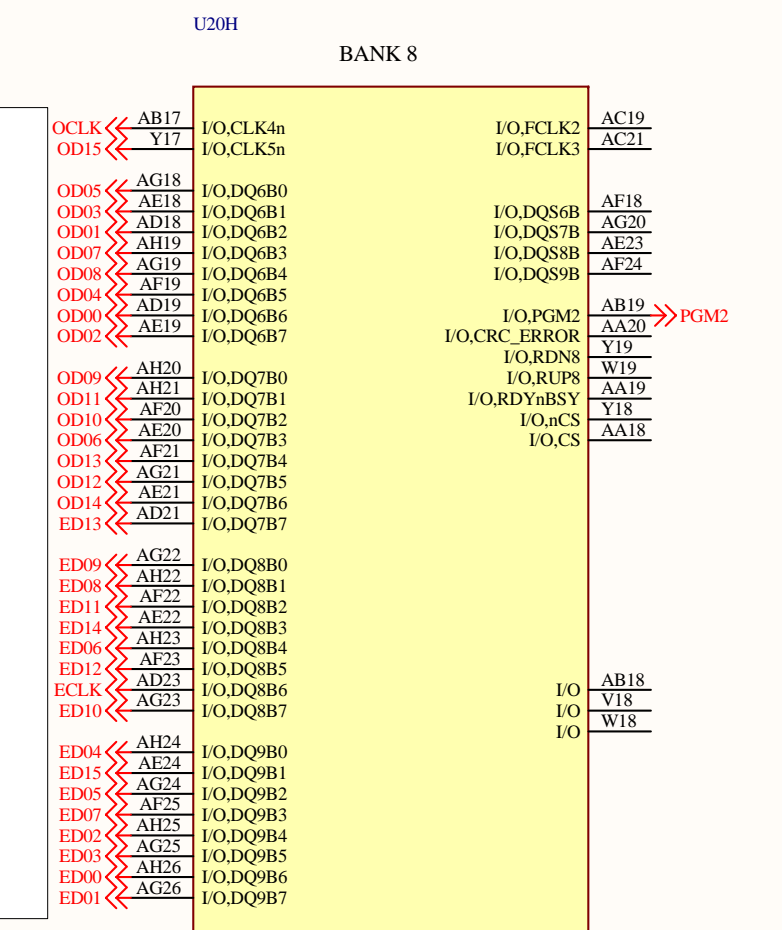
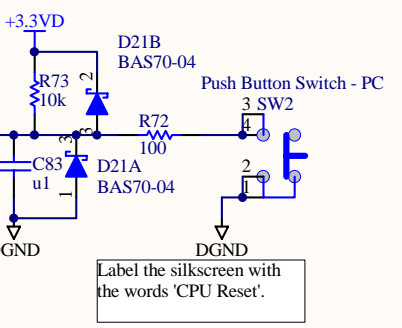
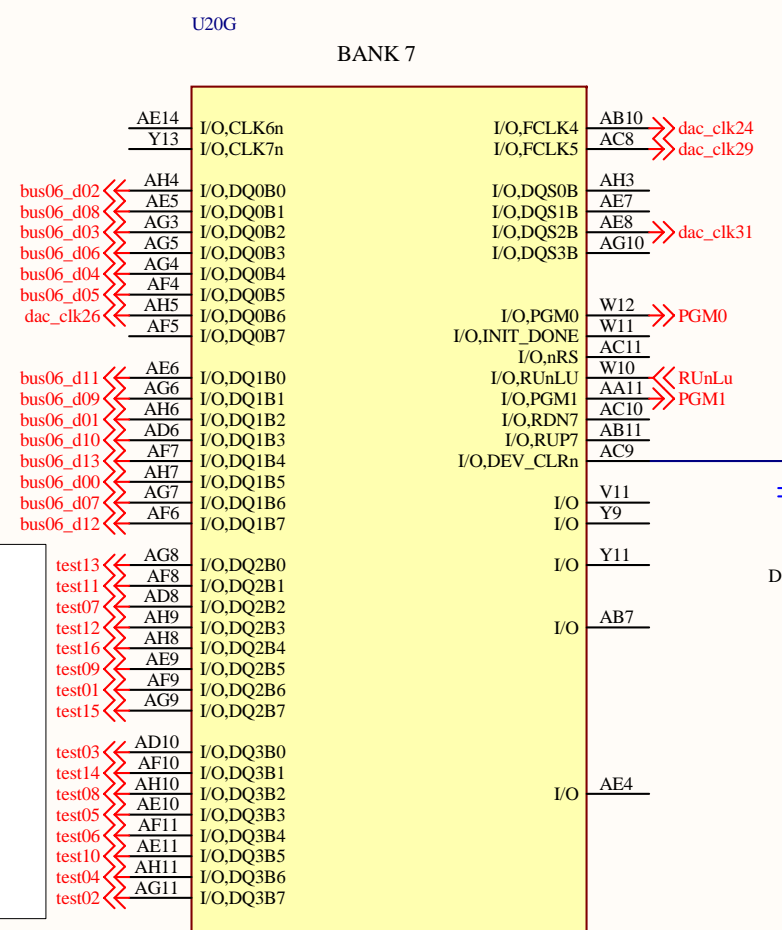
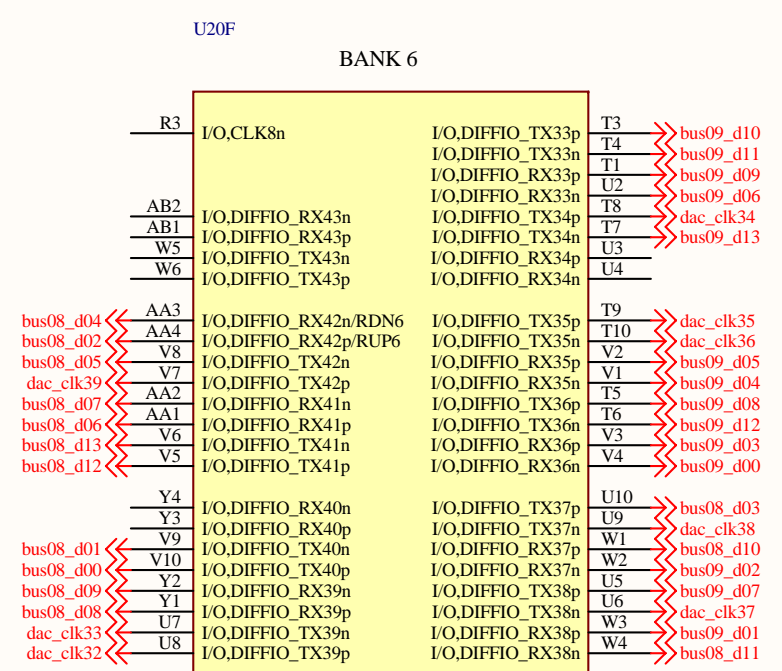
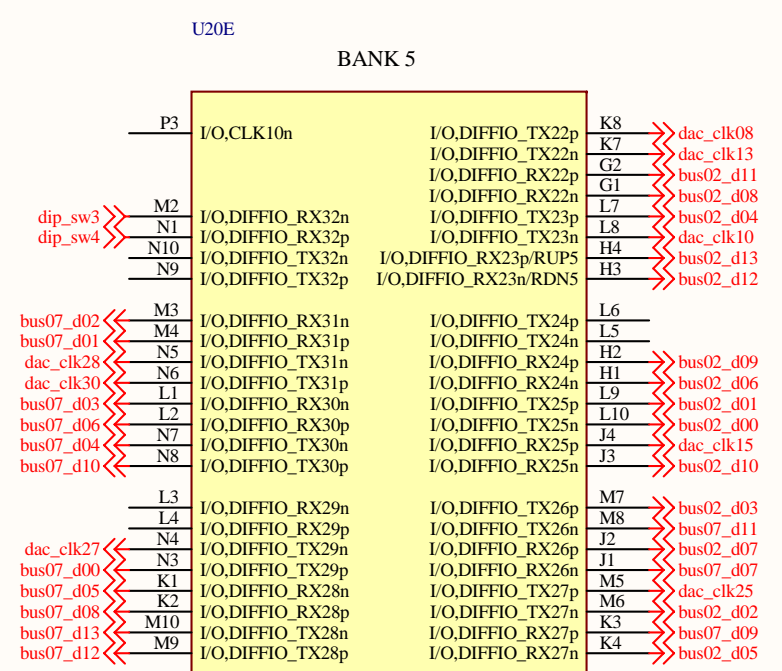
D

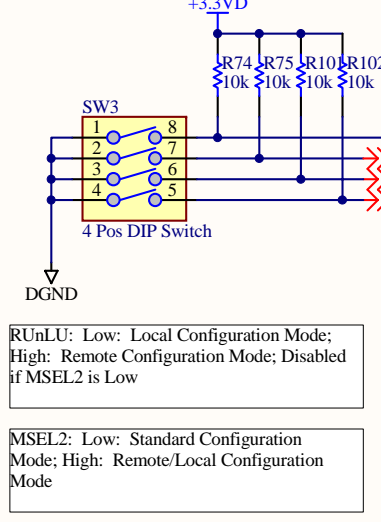
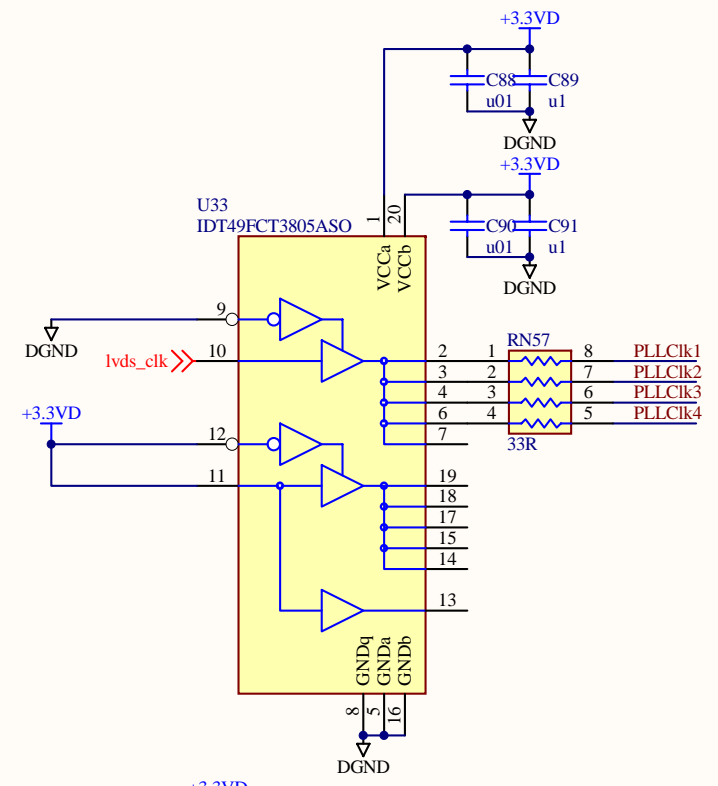












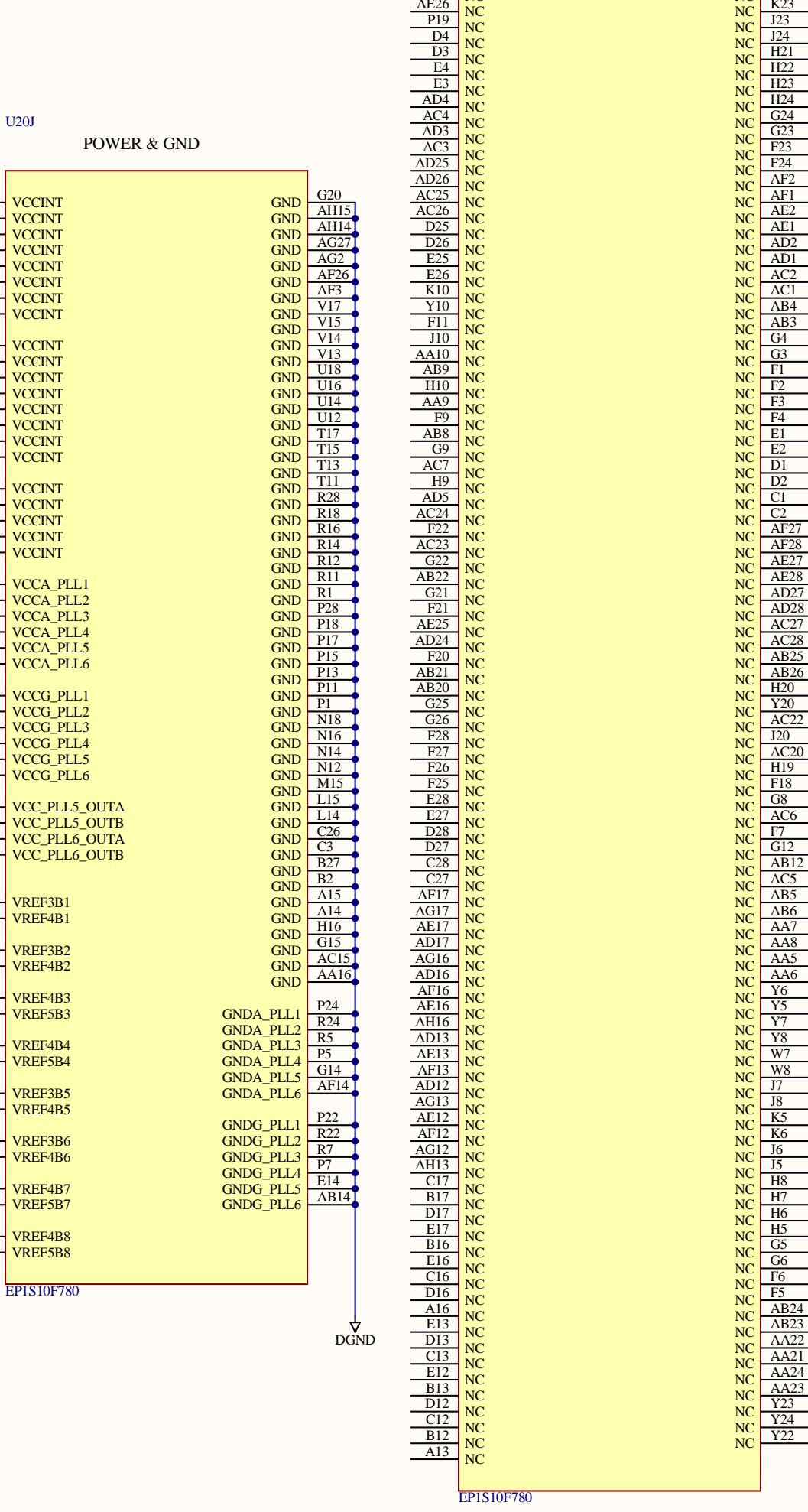
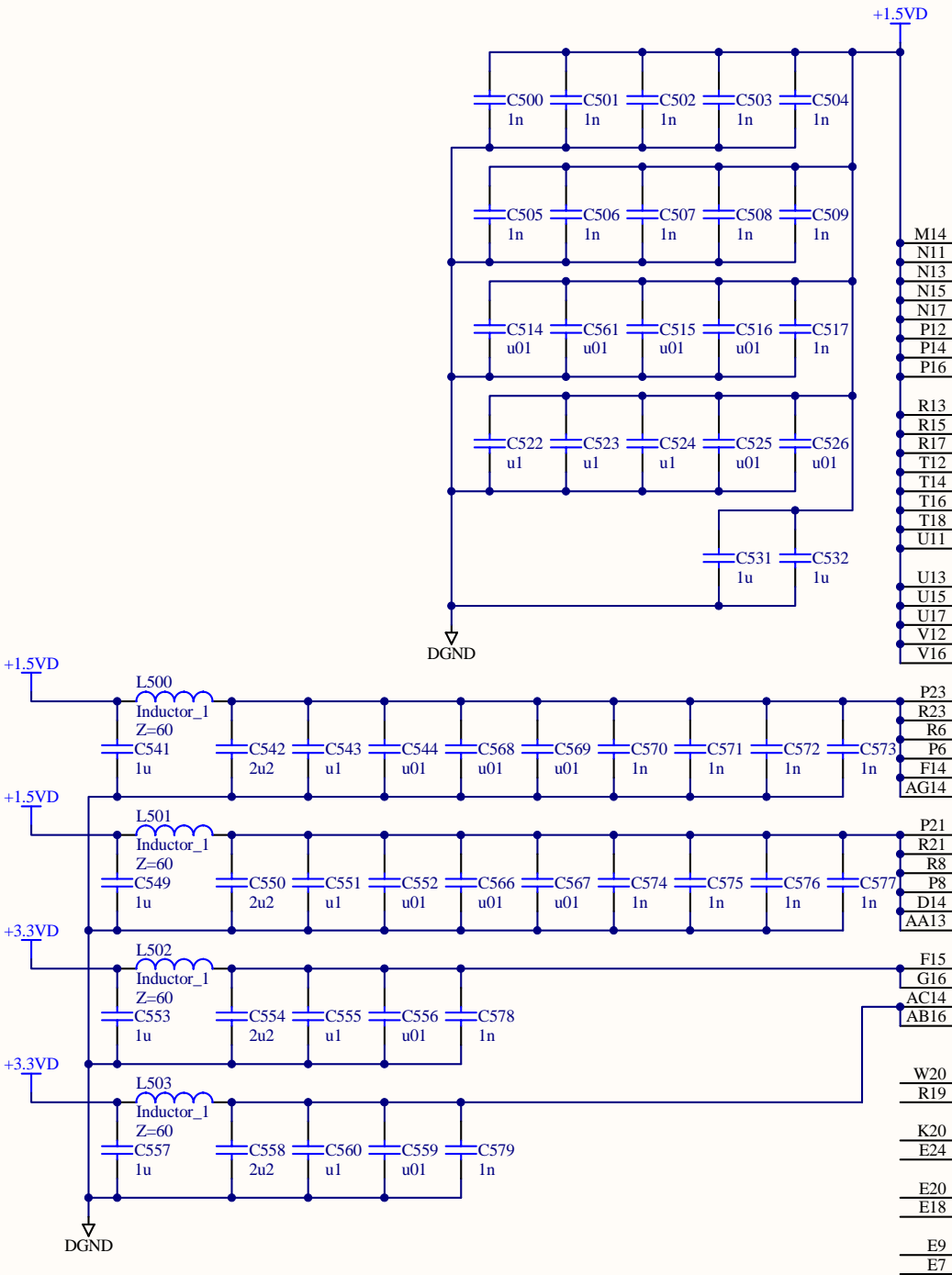
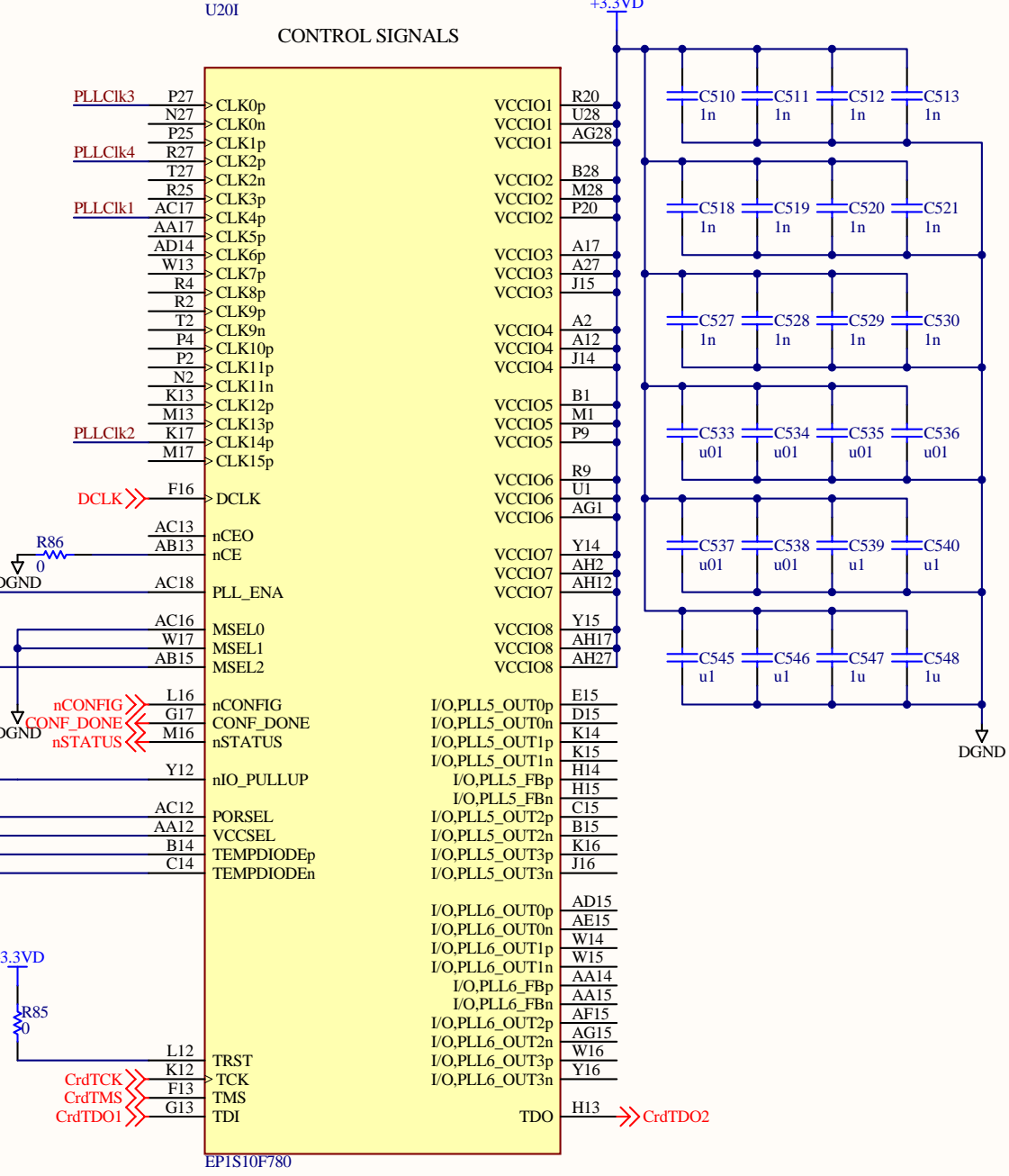
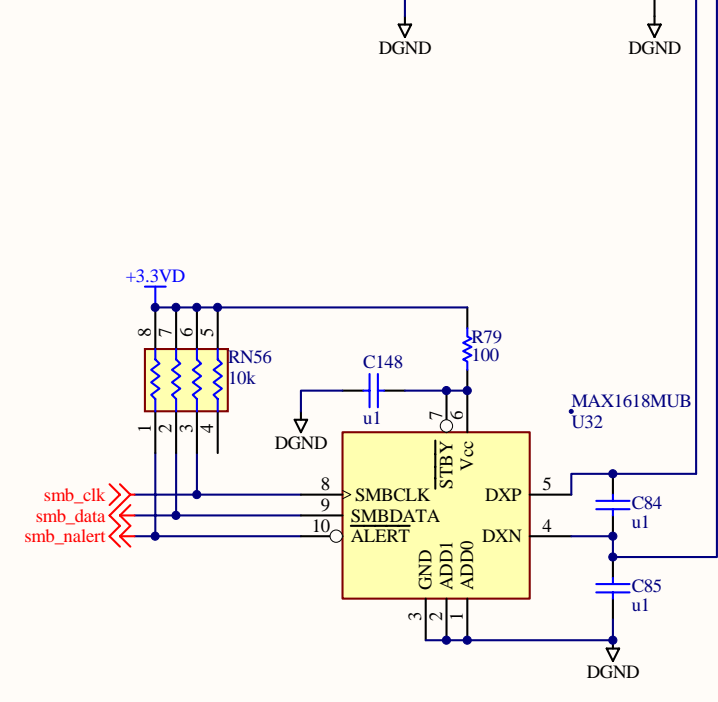
RUnLU: Low: Local Configuration Mode; High: Remote Configuration Mode; Disabled if MSEL2 is Low

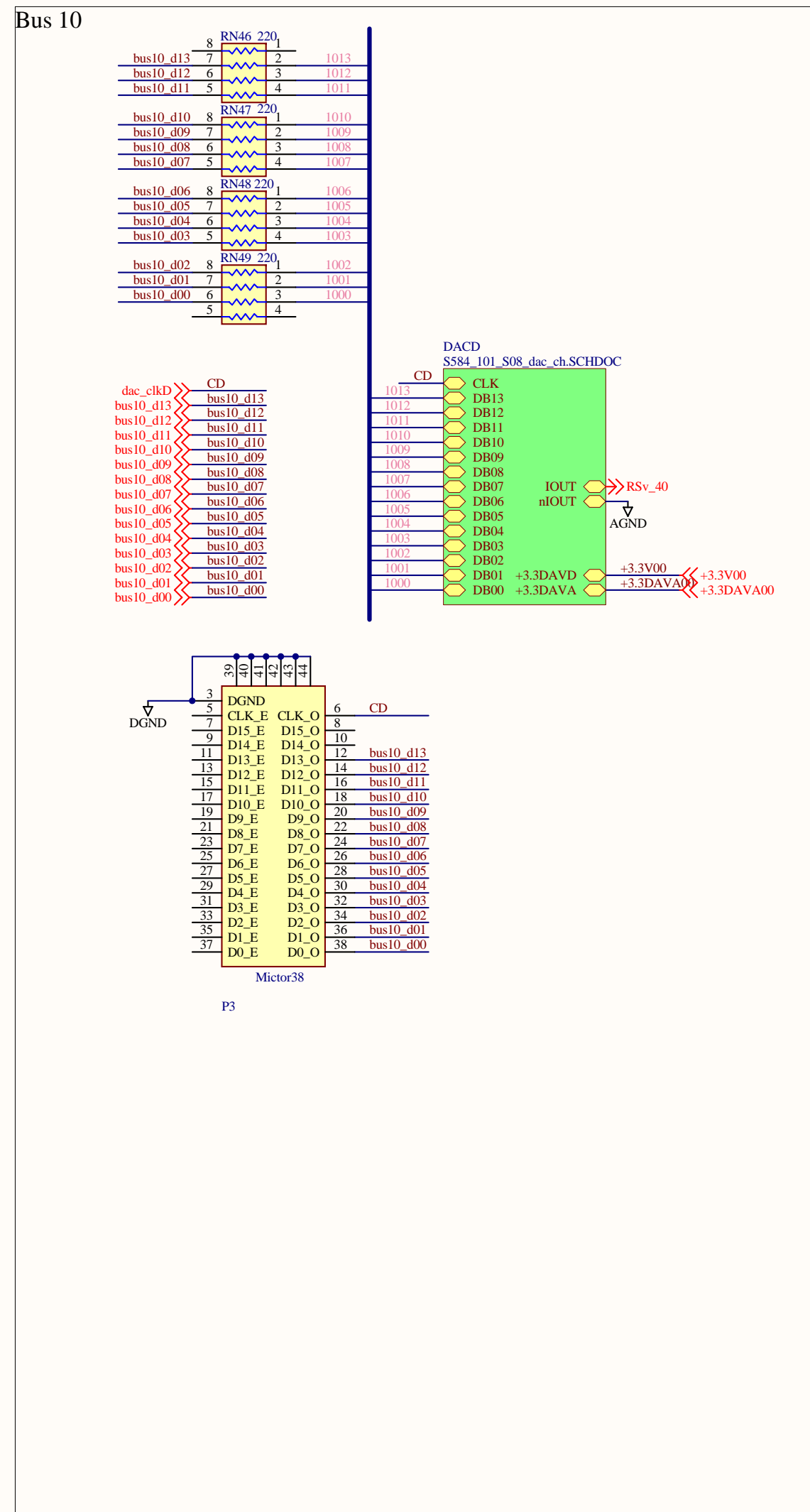
MSEL2: Low: Standard Configuration Mode; High: Remote/Local Configuration Mode

PLL\_ENA: To enable the PLL's, stuff the pullup and not the pulldown. To Disable the PLL's, stuff the pulldown and not the pullup.

nO\_PULLUP: Stuff either one resistor or the other. If driven high, the weak pull-ups on all user IO are disabled during configuration. If low, the pull-ups are disabled during configuration.

PORSEL: Stuff either the pullup resistor or the pulldown resistor (never both). The pullup resistor is stuffed to disable weak pull up resistors on all pins during powerup and programming. The pull down resistor is stuffed to enable these pullups on all pins.





A

A

B

B

C

C

D

D

