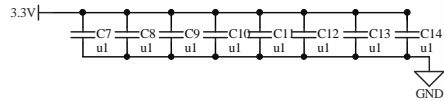
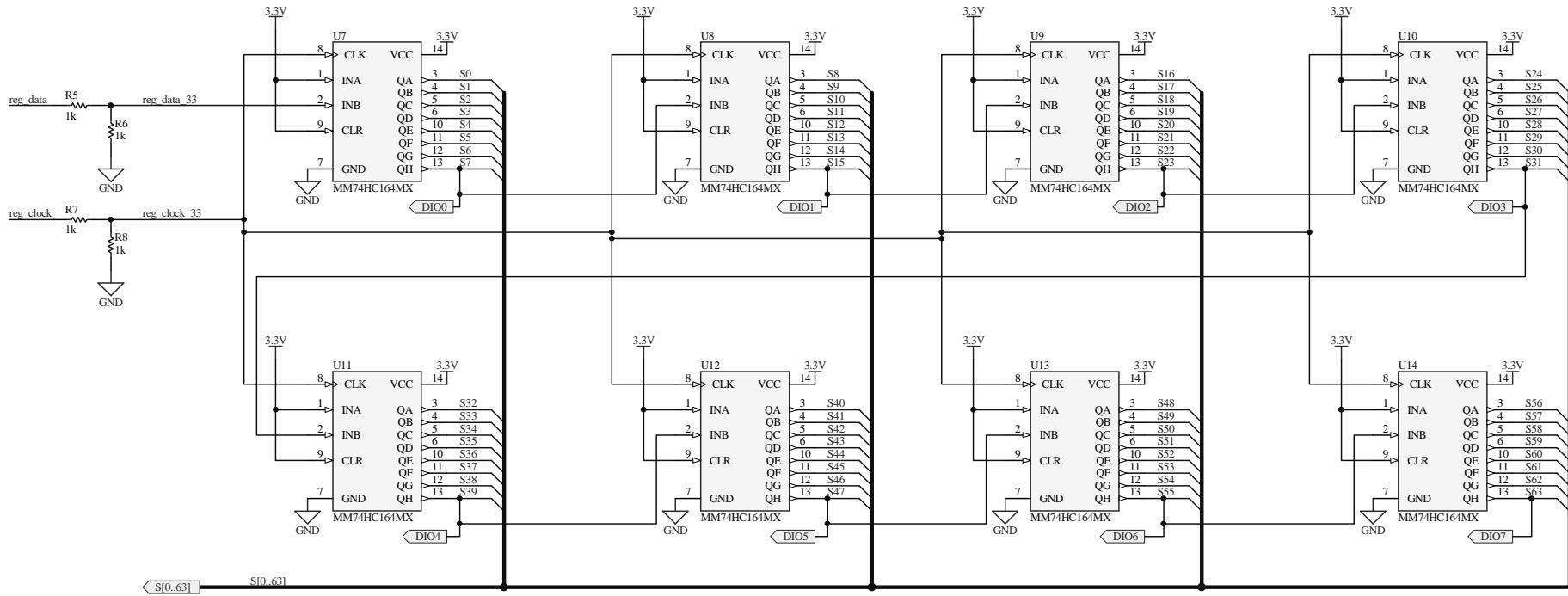


Title		MCE Sync Buffer	
Size: B	Number: E10-027	Revision: 0	
Date: 4/14/2011	Time: 4:58:45 PM	Sheet 1 of 2	
File: C589-301-1.SchDoc			

University of British Columbia
 Department of Physics & Astronomy
 Electronics Lab
 6224 Agricultural Road
 Vancouver BC V6T 1Z1 Canada



Use UBC Logo
 PCB Part Number for BOM



Title		MCE Sync Buffer		University of British Columbia	
Size: B		Number: E10-027		Department of Physics & Astronomy	
Date: 4/14/2011		Time: 4:58:45 PM		Electronics Lab	
File: C589-301-2.SchDoc		Sheet 2 of 2		Revision: 0	
				6224 Agricultural Road Vancouver BC V6T 1Z1 Canada	



1

2

3

4

5

6

A

A

Designator
C589-301-1.SchDoc



Designator
C589-301-2.SchDoc



B

B

C

C

D

D

1

2


3

4

5

6

?

Title			University of British Columbia <i>Department of Physics & Astronomy</i> <i>Electronics Lab</i> 6224 Agricultural Road Vancouver BC V6T 1Z1 Canada	
Size: B	Number:	Revision:		
Date: 4/14/2011	Time: 4:58:45 PM	Sheet of		
File: C589-301-0.SchDoc				