

1

2

3

4

5

6

A

A

B

B

C

C

D

D

SH1
C587-201_S1.SchDoc



SH2
C587-201_S2.SchDoc



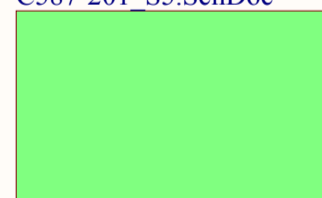
SH3
C587-201_S3.SchDoc



SH4
C587-201_S4.SchDoc



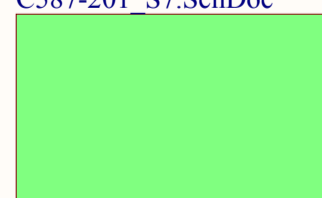
SH5
C587-201_S5.SchDoc




SH6
C587-201_S6.SchDoc



SH7
C587-201_S7.SchDoc



Title		<i>MCEv2 5 MDM Instrument Backplane</i>		University of British Columbia Department of Physics & Astronomy MCEv2 Project 6224 Agricultural Road Vancouver BC V6T 1Z1 Canada		
Size:	B	Number:	ELE-C587-201	Revision:	A	
Date:	2011-11-22	Time:	3:53:24 PM	Sheet	0 of 5	
File: C587-201_S0.SchDoc						

1

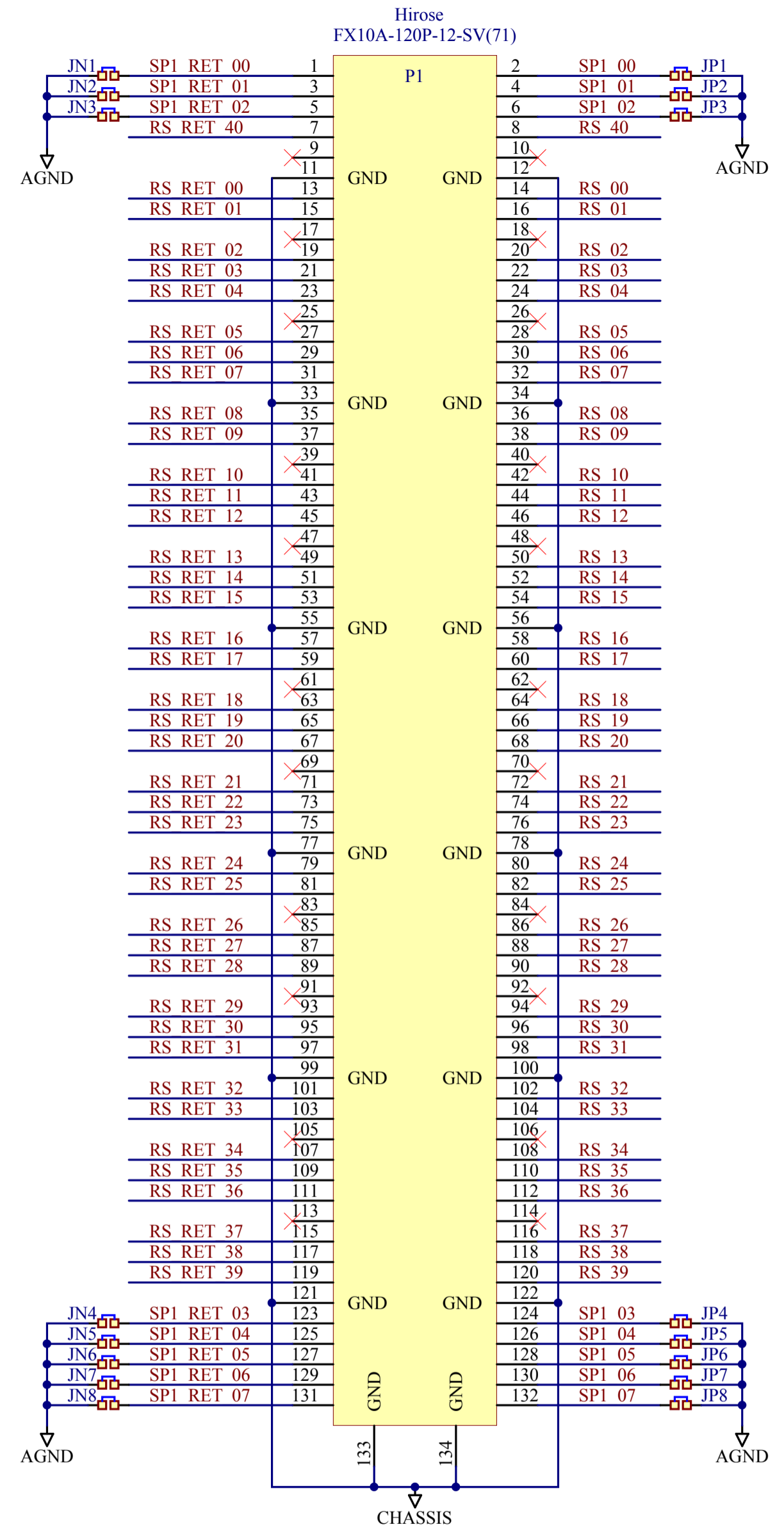
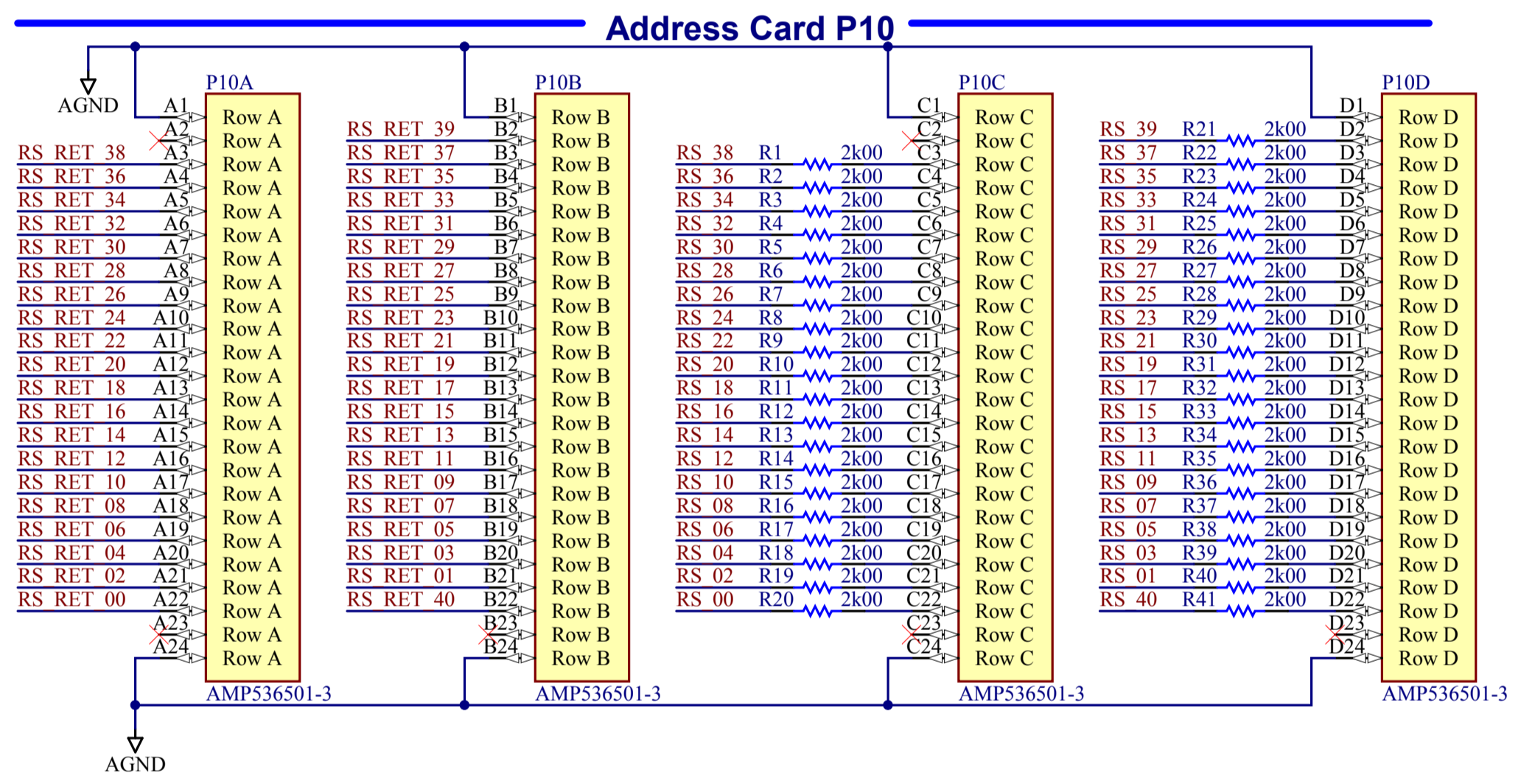
2

3


4

5

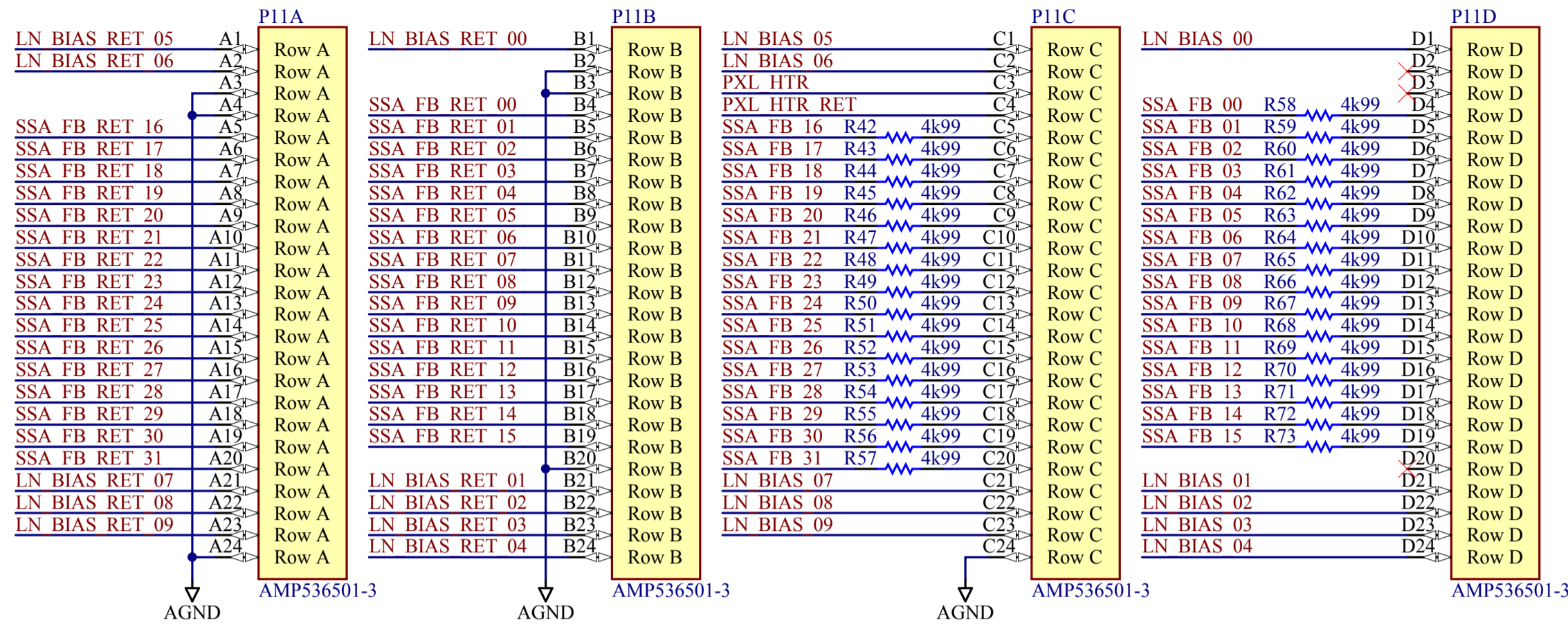
6



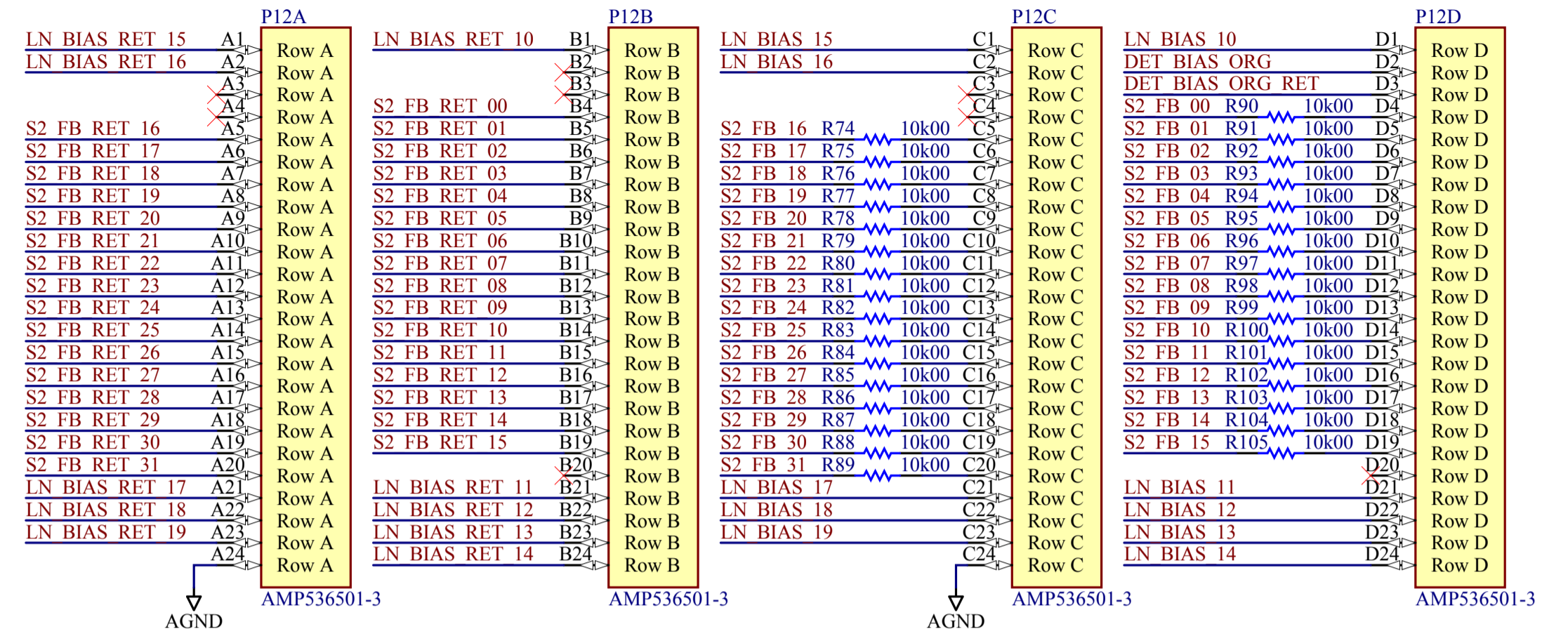
PCB Part Number for BOM: ELE-C587-201

Title		MCEv2 5 MDM Instrument Backplane		University of British Columbia	
Size: B	Number: ELE-C587-201	Revision: A	Department of Physics & Astronomy		
Date: 2011-11-22	Time: 3:53:24 PM	Sheet 1 of 7	MCEv2 Project		
File: C587-201_S1.SchDoc		6224 Agricultural Road			
		Vancouver BC V6T 1Z1 Canada			

Bias Card 1 - P11

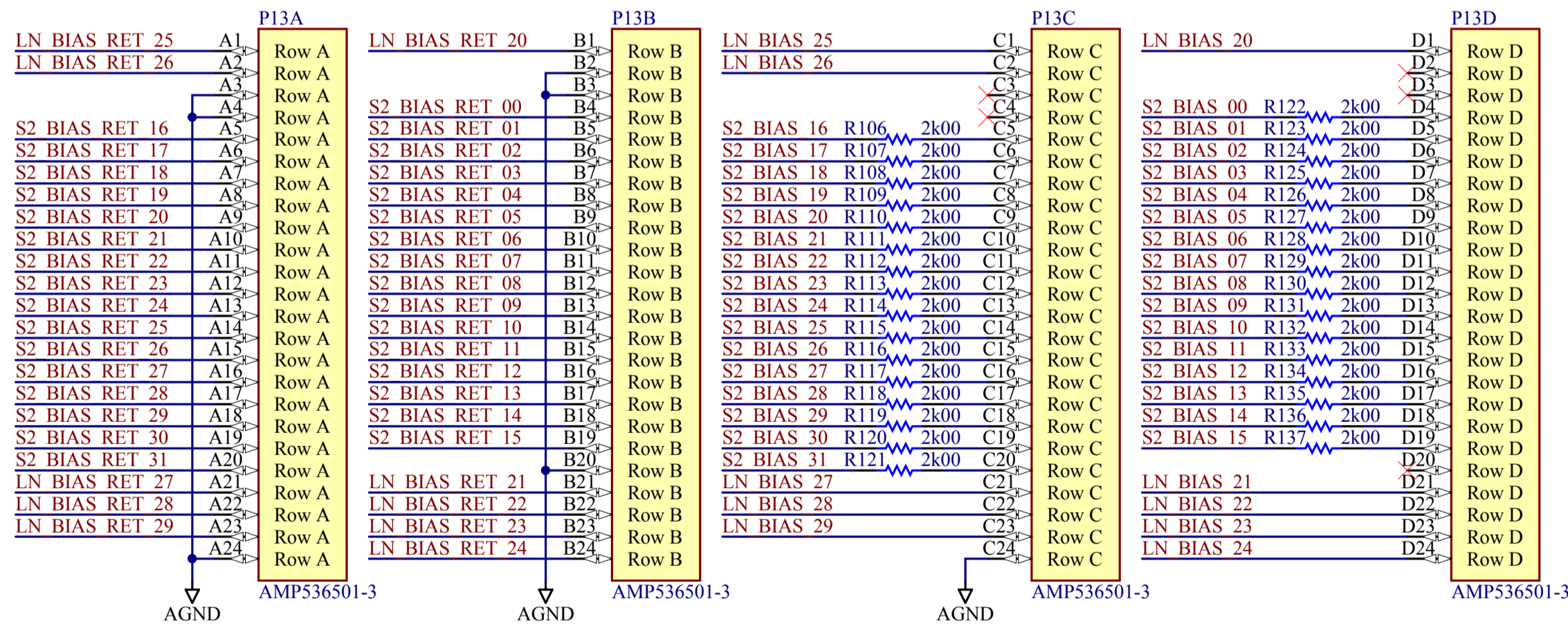


Bias Card #2 - P12

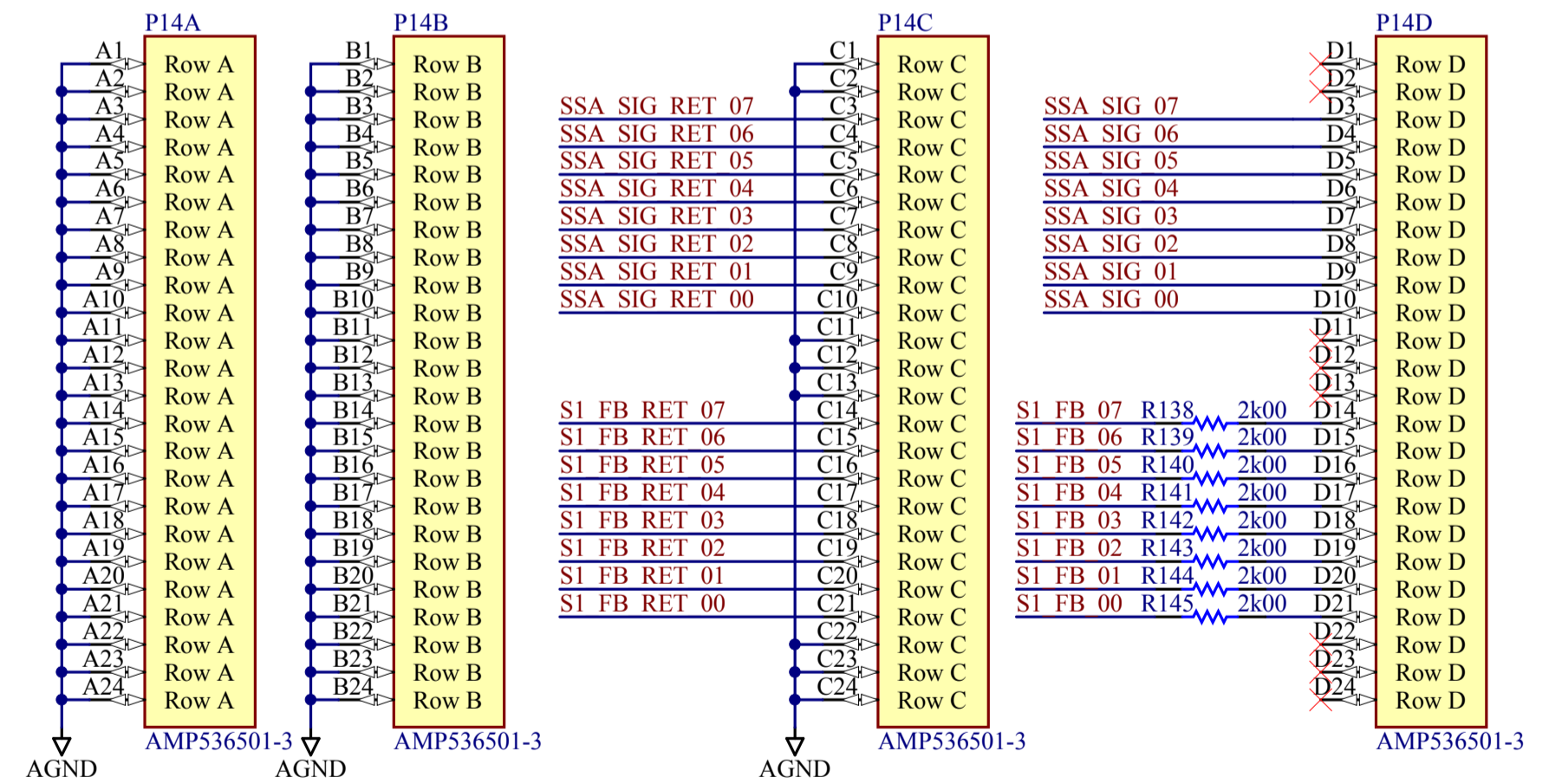


Note: BC2 is compatible with Address Cards
 Compatibility Requires: No Connection at A3, A4, B2, B3, B20, C3, C4
 BC1-BC3 are not compatible with Bias Cards that have SSAM_HTR_A and B parts installed

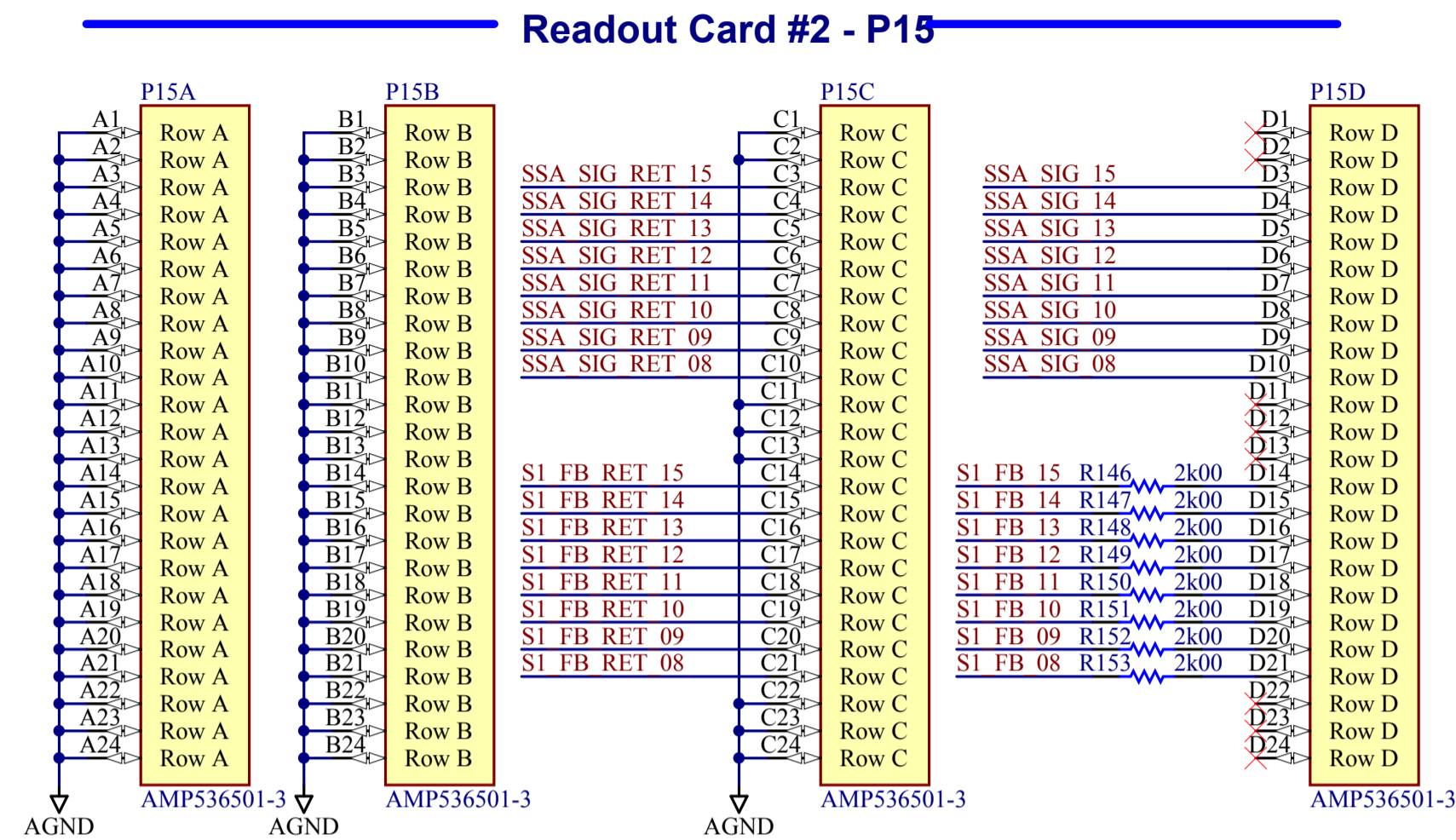
Bias Card 3 - P13



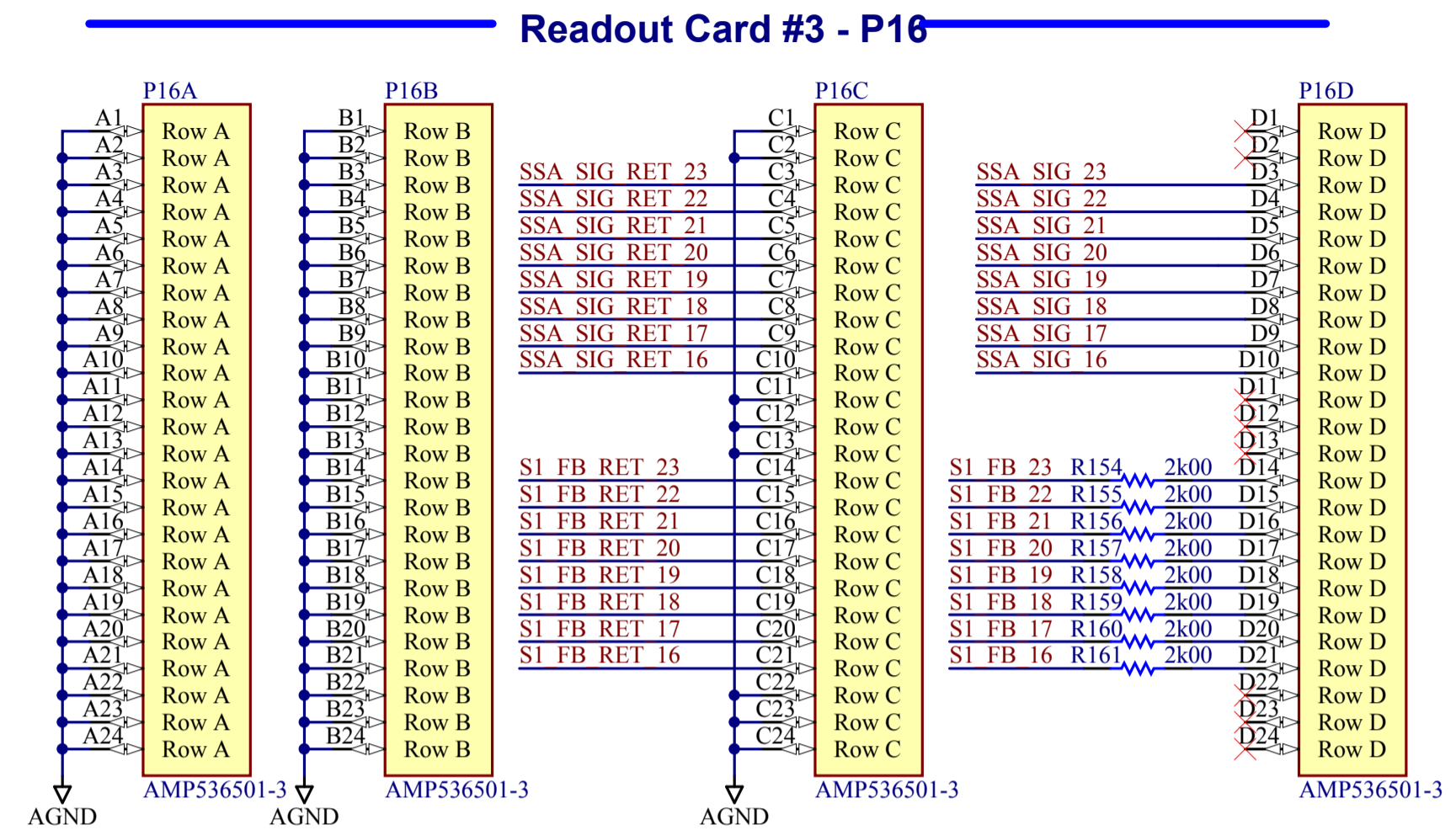
Readout Card #1 - P14



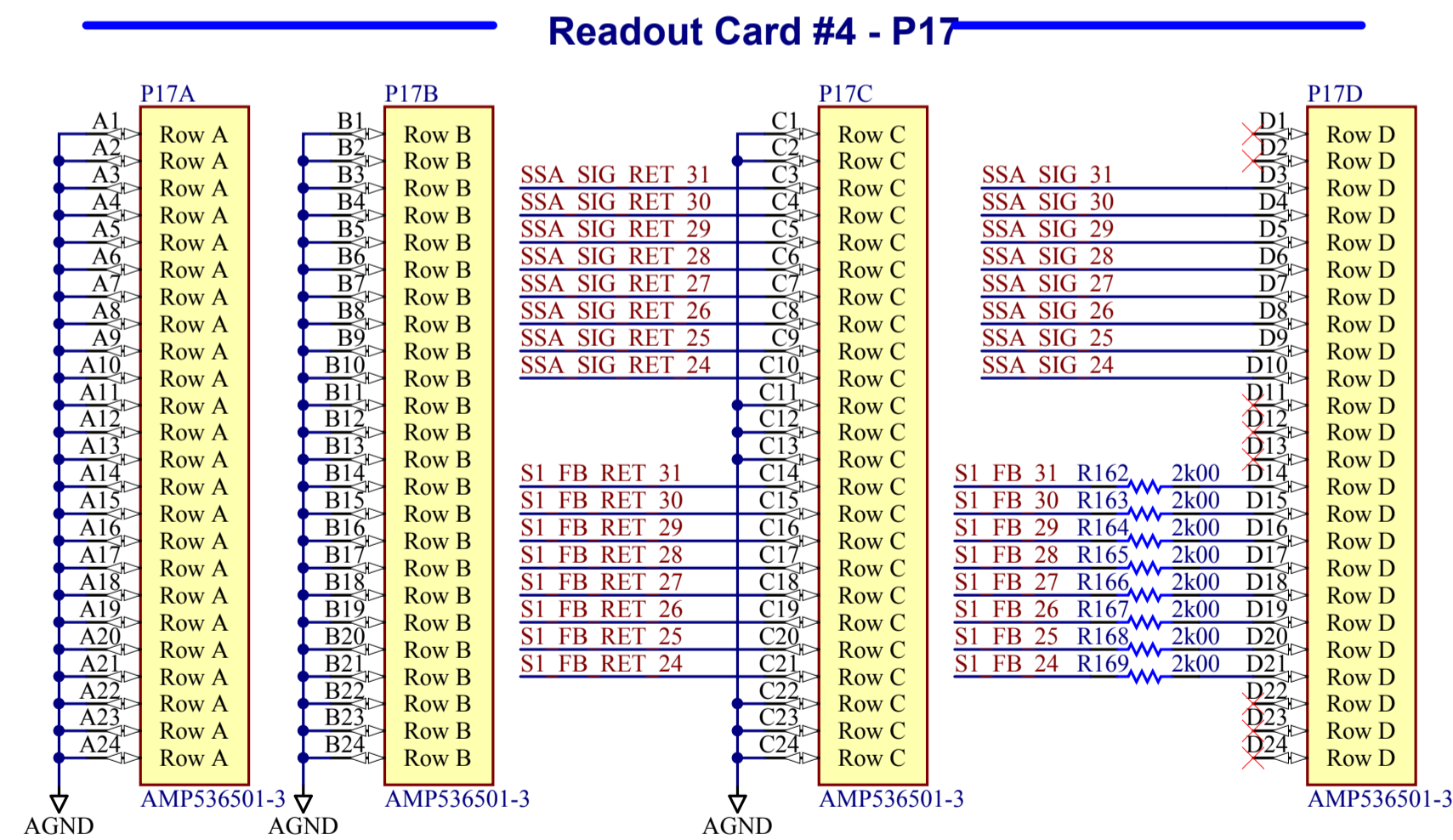
SSA_SIG_x Signals are Outputs from Array (Inputs on ReadoutCards)
 S1_FB_x Signals are Inputs to Array (Outputs on Readout Cards)



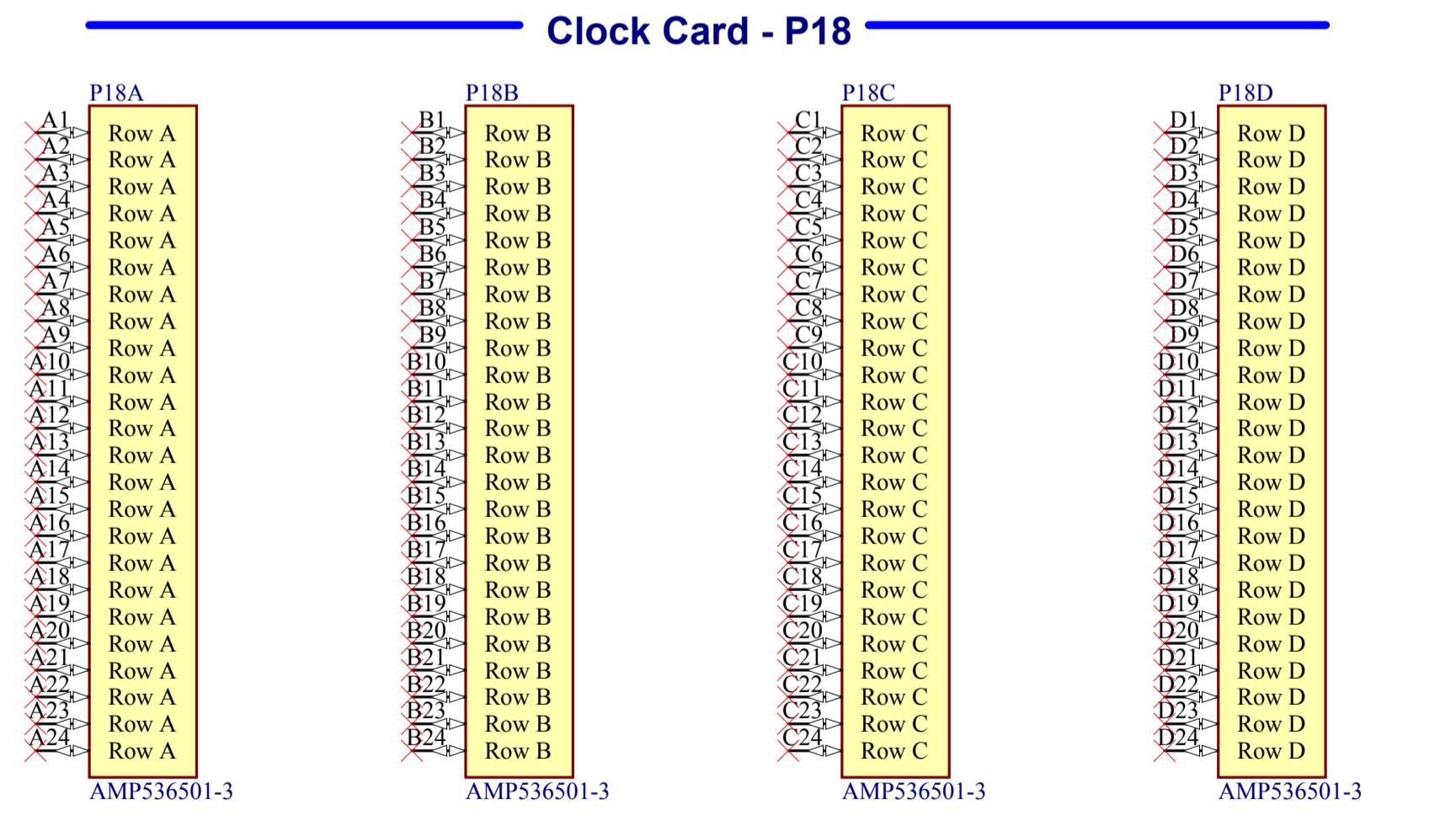
SSA_SIG_x Signals are Outputs from Array (Inputs on ReadoutCards)
 S1_FB_x Signals are Inputs to Array (Outputs on Readout Cards)

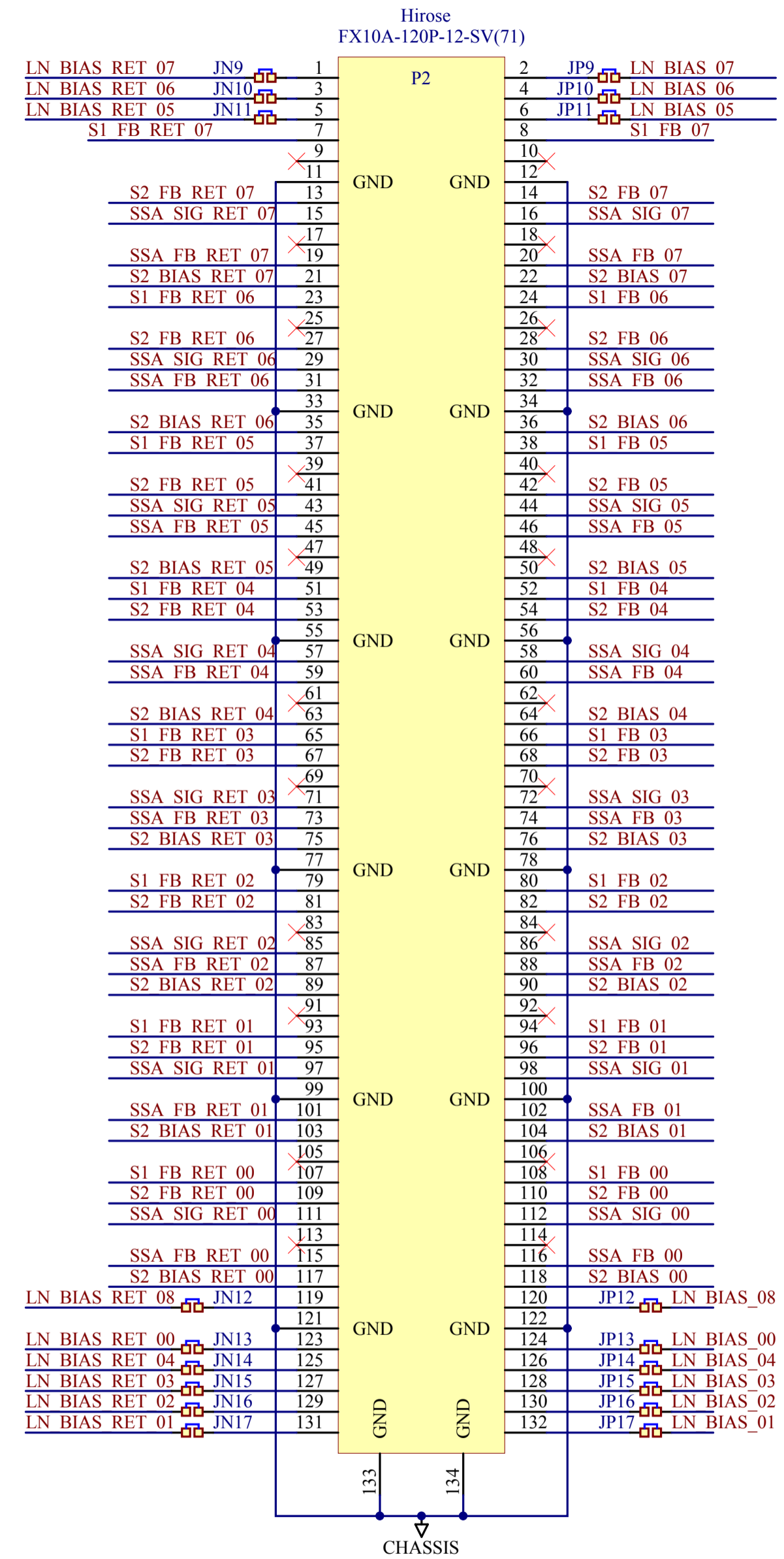
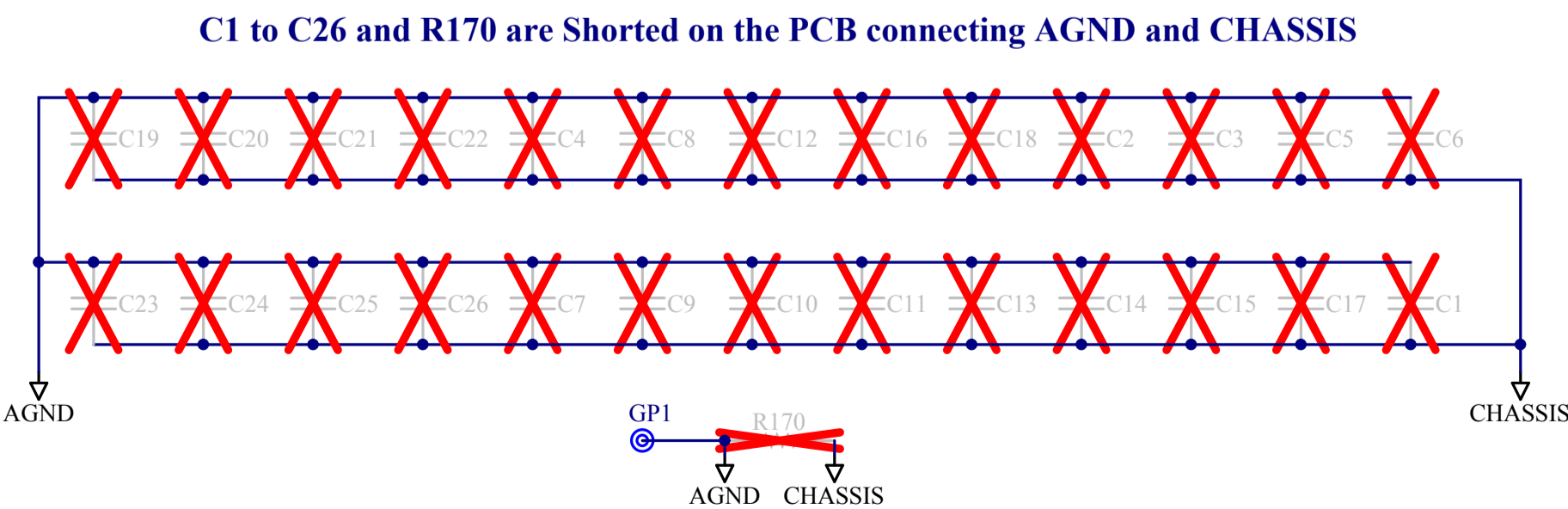


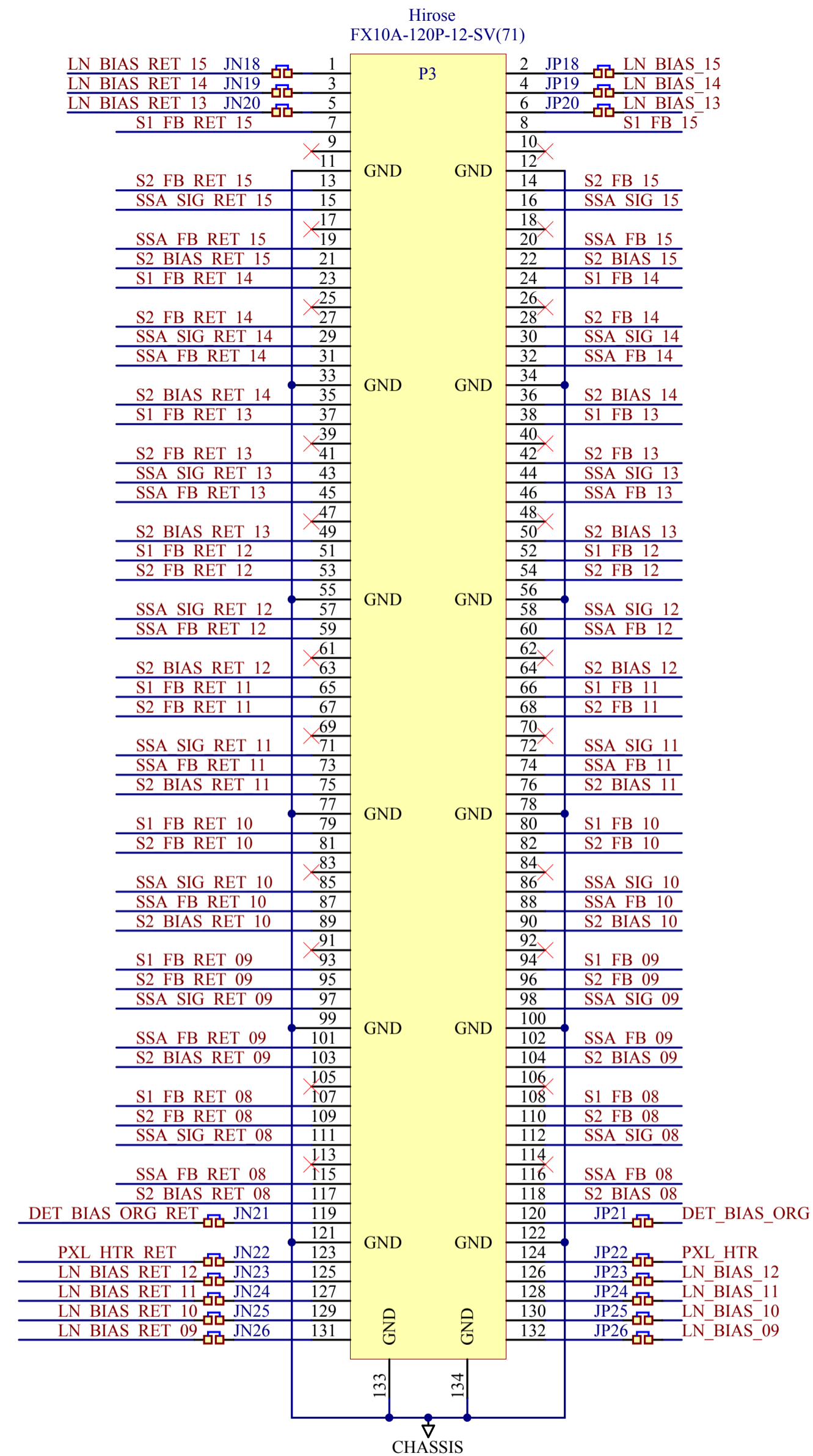
SSA_SIG_x Signals are Outputs from Array (Inputs on ReadoutCards)
 S1_FB_x Signals are Inputs to Array (Outputs on Readout Cards)

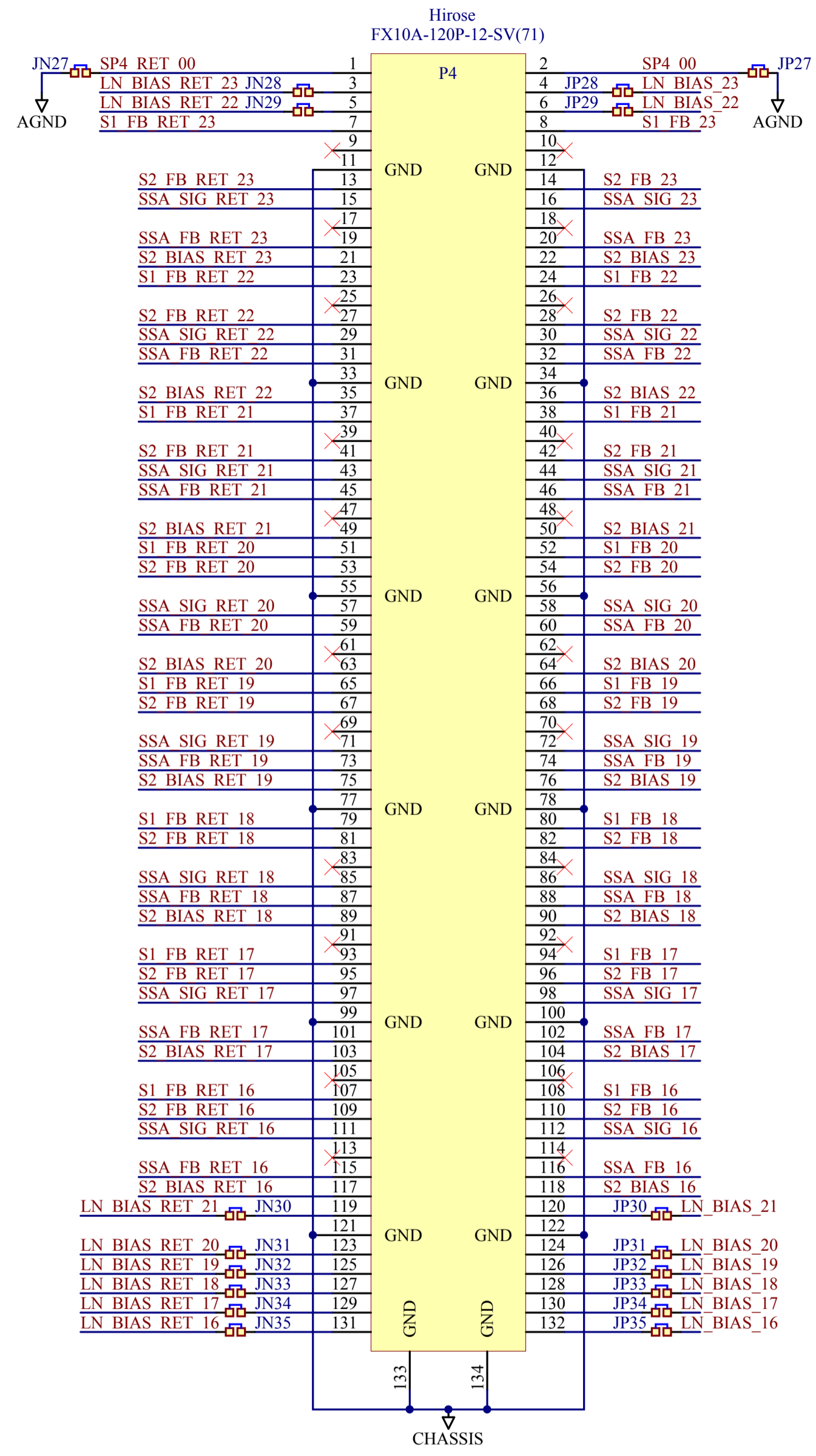


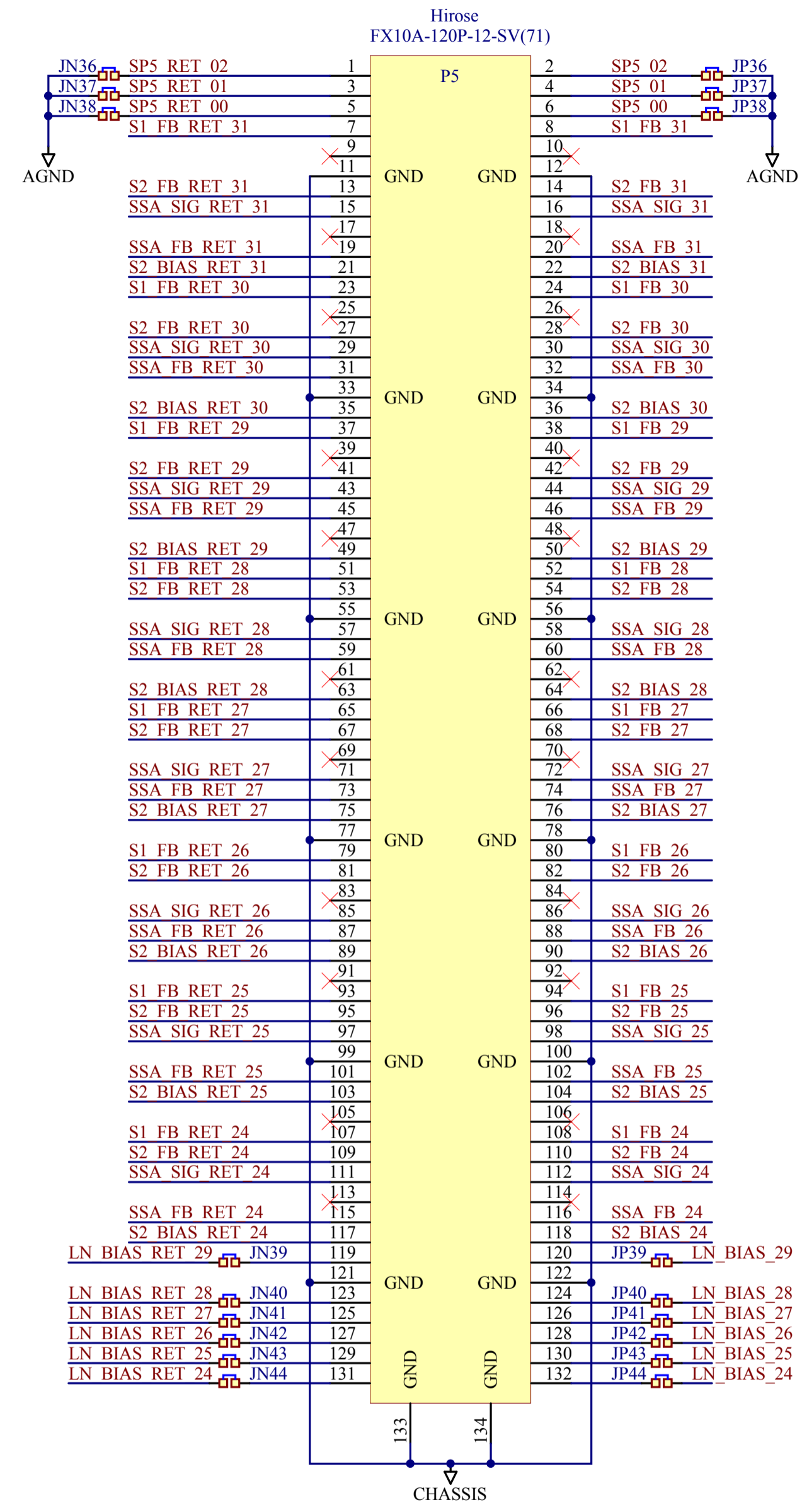
SSA_SIG_x Signals are Outputs from Array (Inputs on ReadoutCards)
 S1_FB_x Signals are Inputs to Array (Outputs on Readout Cards)











Use UBC Logo
 Add Fiducial Point
 Add Fiducial Point

Title		MCEv2 5 MDM Instrument Backplane		University of British Columbia	
Size: B		Number: ELE-C587-201		Department of Physics & Astronomy	
Date: 2011-11-22		Time: 3:53:26 PM		MCEv2 Project	
File: C587-201_S7.SchDoc		Sheet 7 of 7		6224 Agricultural Road	
				Vancouver BC V6T 1Z1 Canada	

