

A

B

C

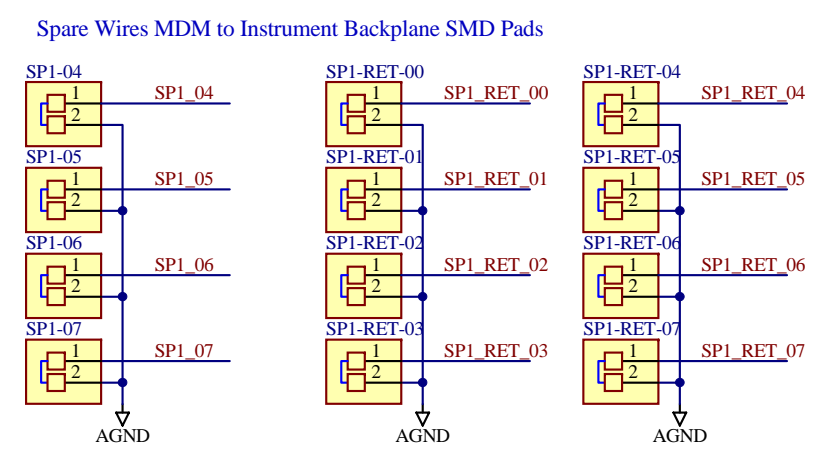
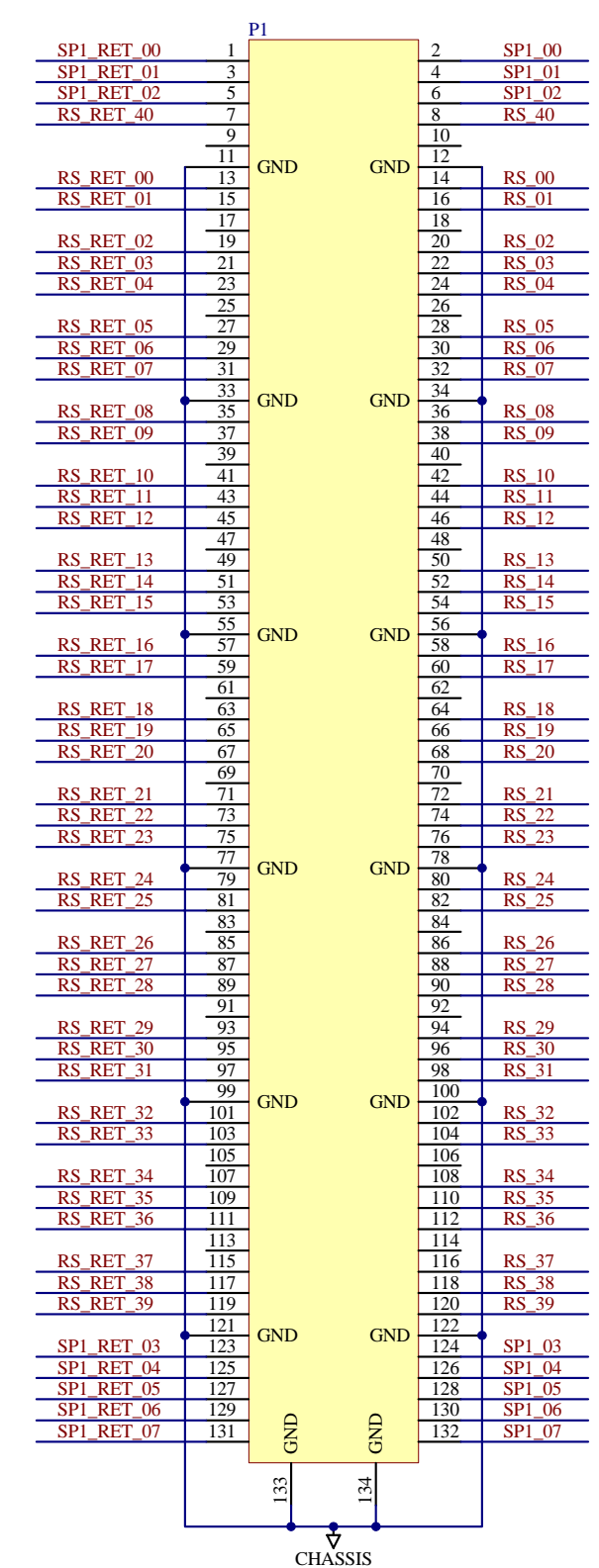
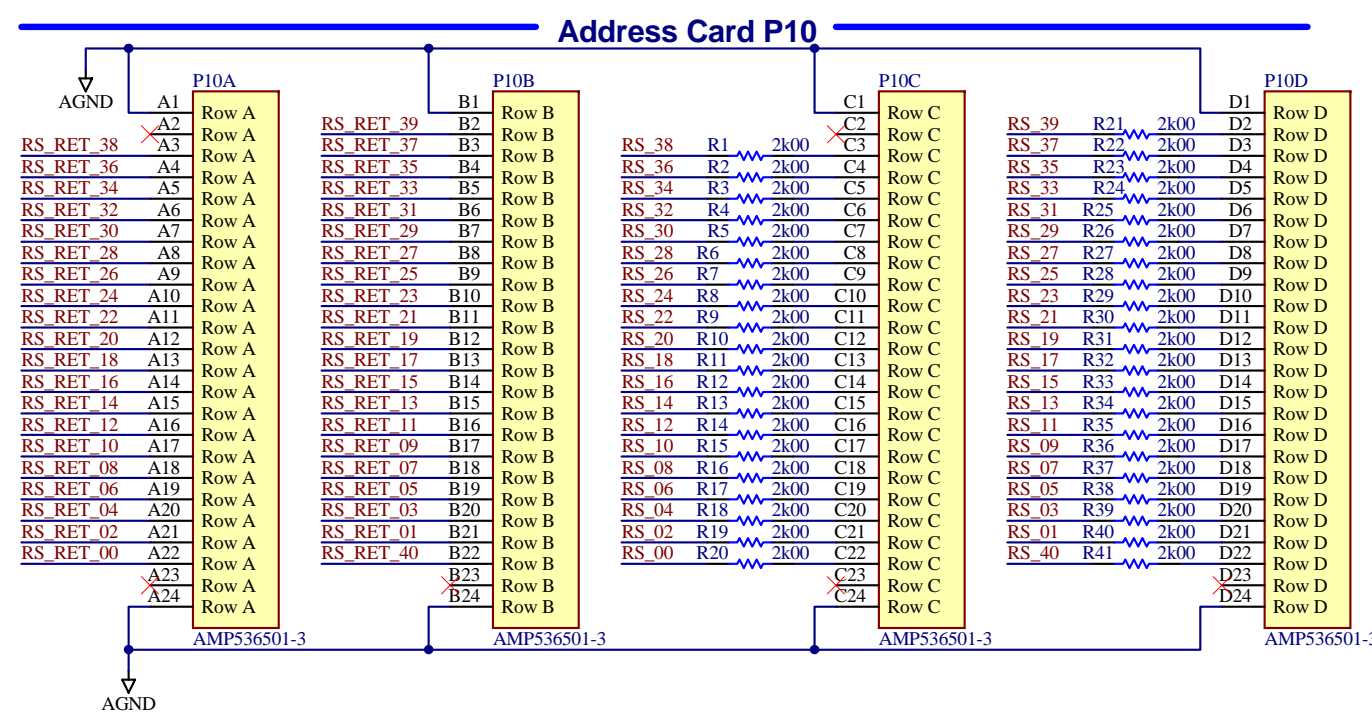
D

A


B

C

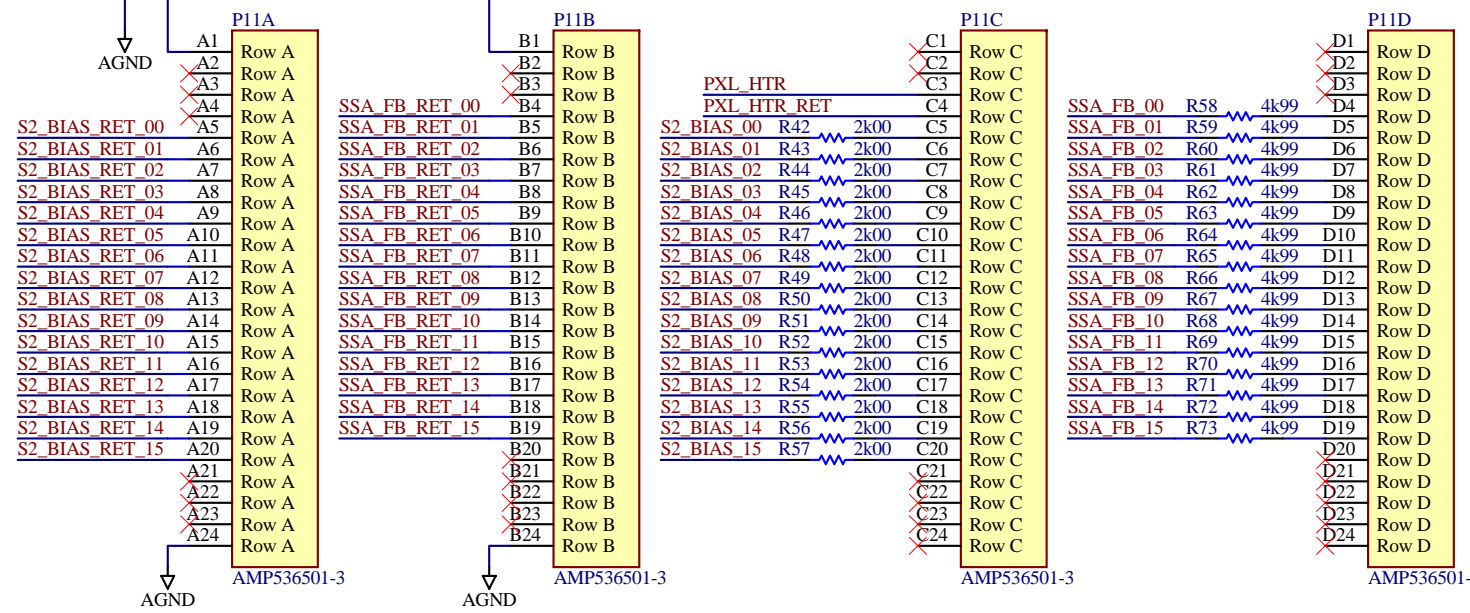
D



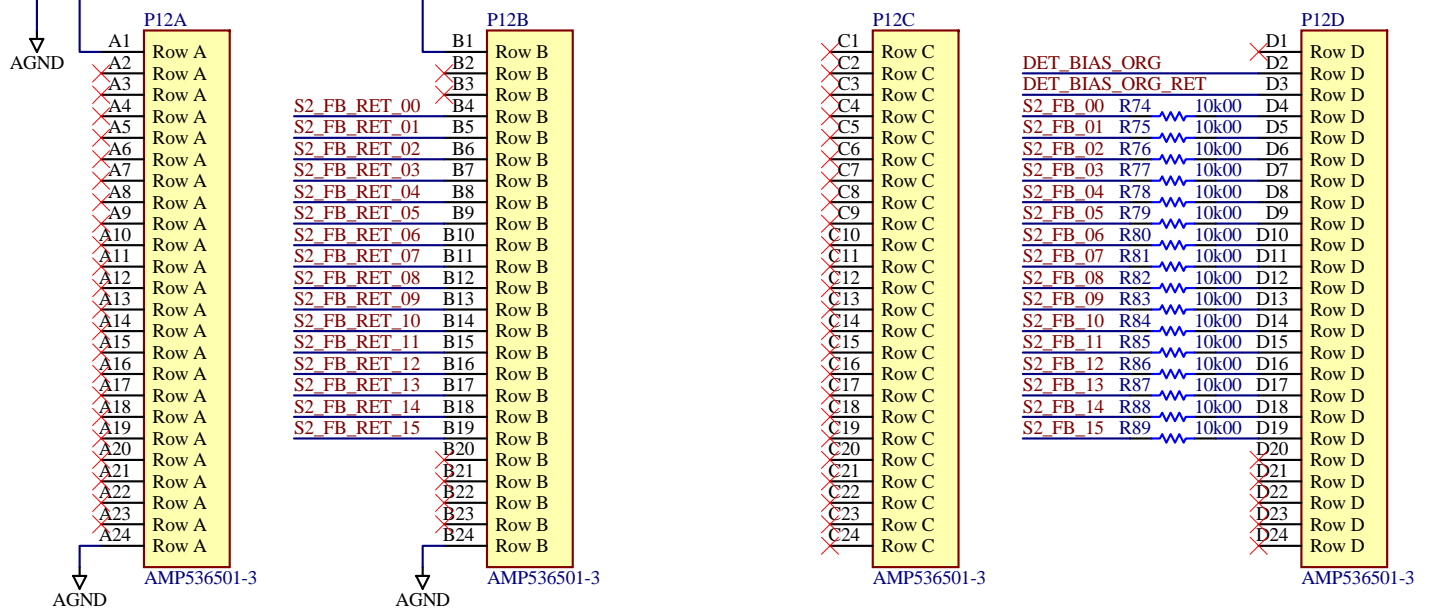
PCB Part Number for BOM: ELE-C587-101

Title MCEv2 Instrument Backplane		University of British Columbia Department of Physics & Astronomy MCEv2 Project 6224 Agricultural Road Vancouver BC V6T 1Z1 Canada		
Size: B	Number: ELE-C587-101	Revision: B	Sheet 1 of 5	
Date: 6/21/2007	Time: 10:37:17 AM	File: C587-101_S1.SchDoc		

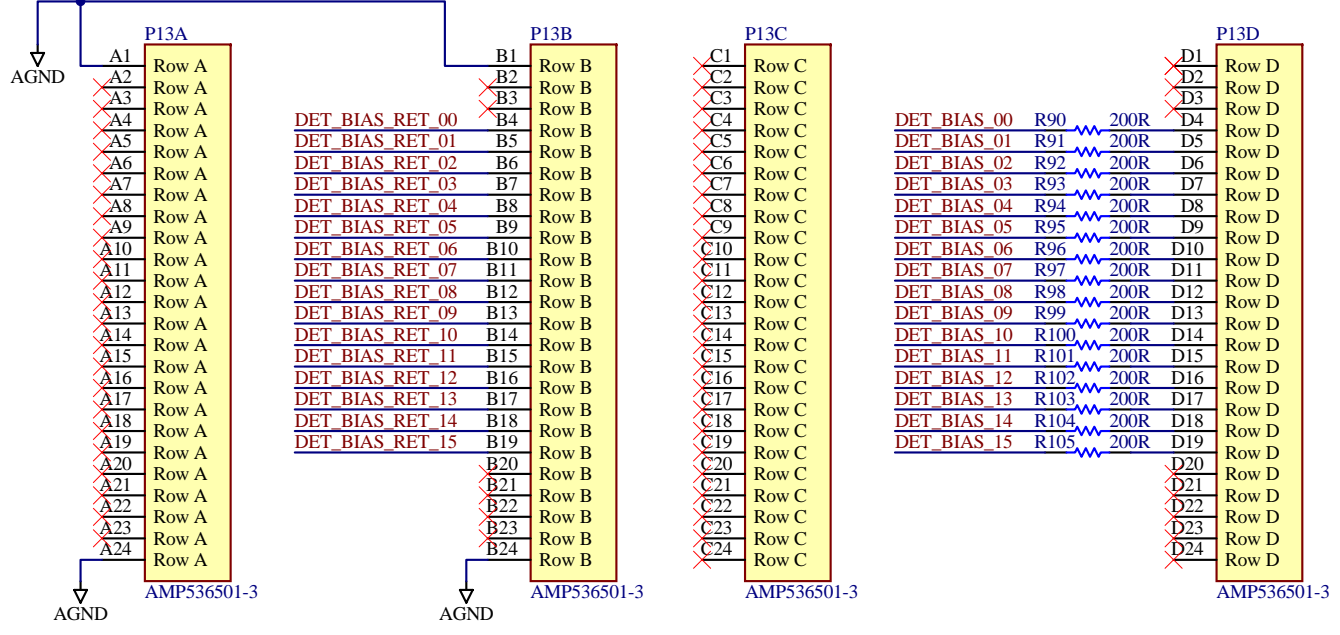
Bias Card #1 - P11



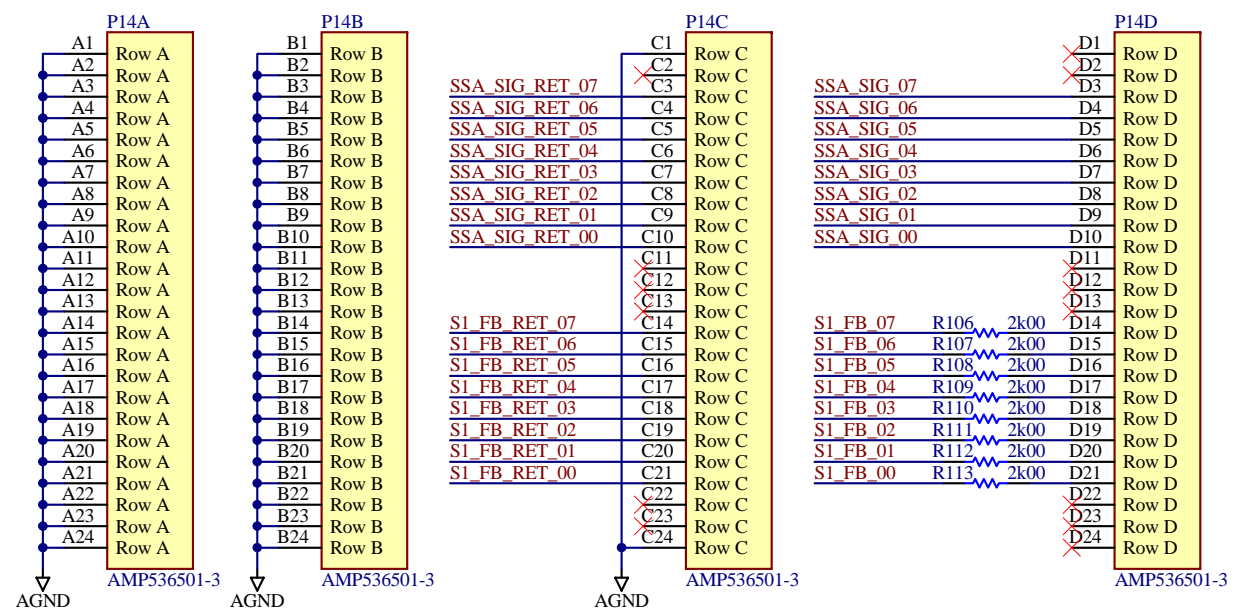
Bias Card #2 - P12



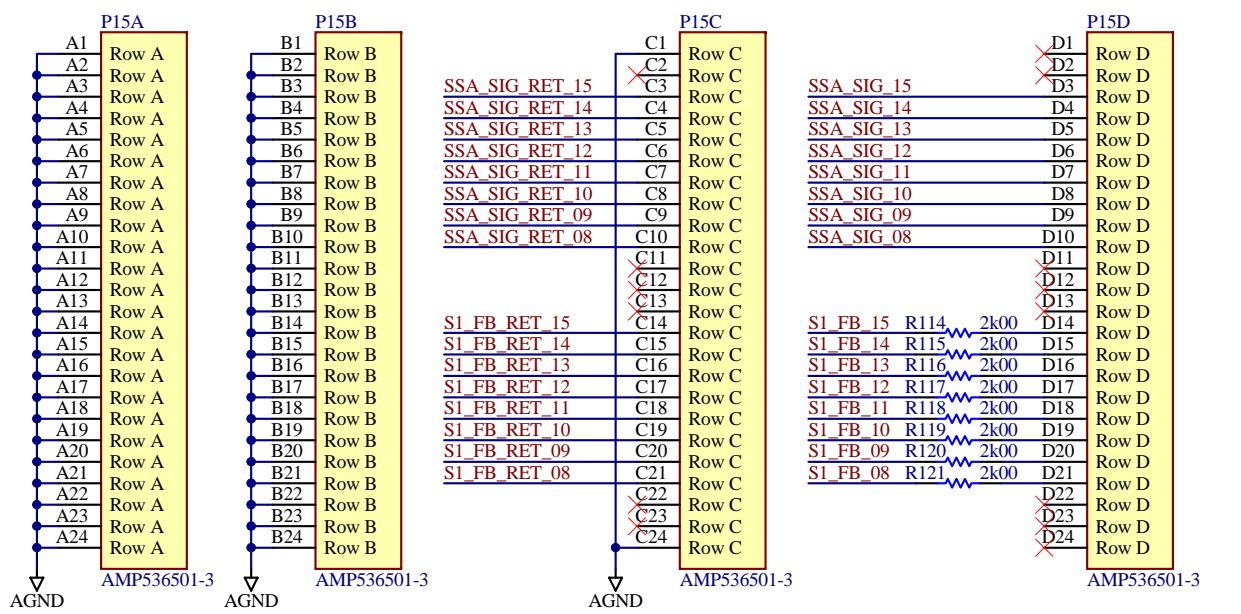
Bias Card #3 - P13



Readout Card #1 - P14



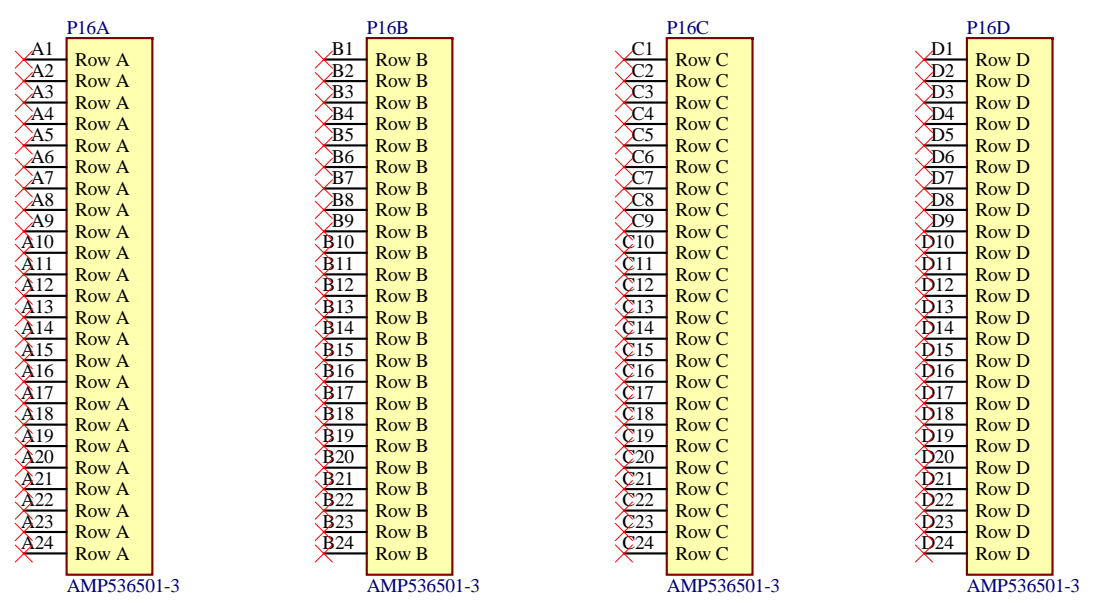
Readout Card #2 - P15

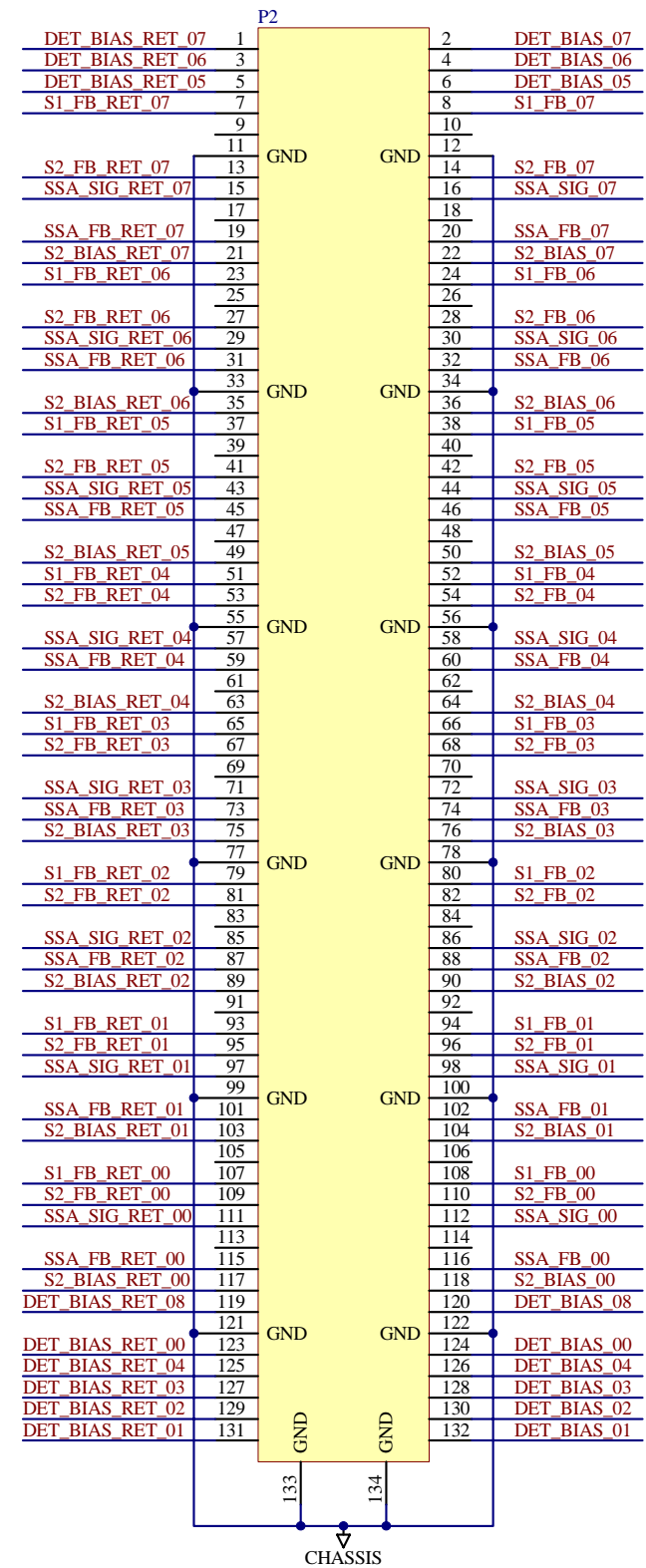
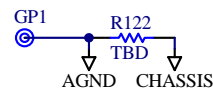
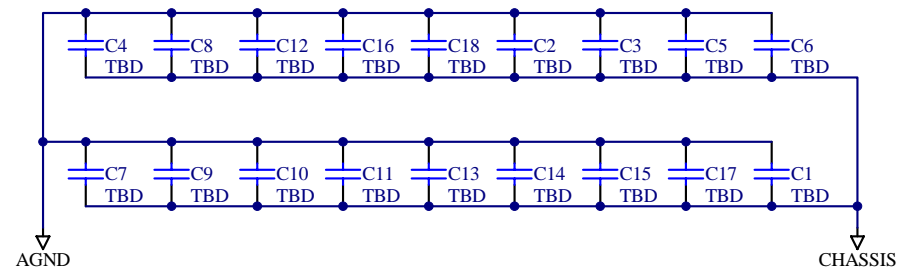


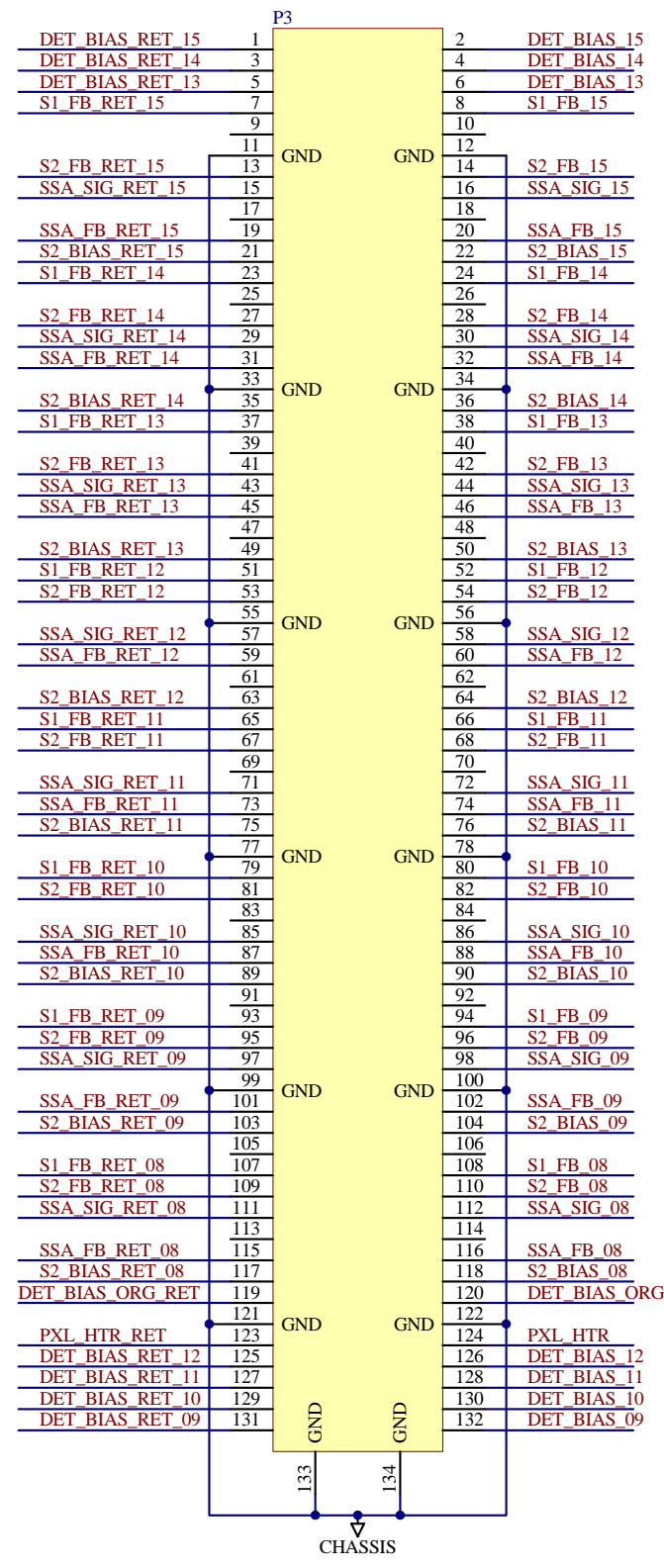
SSA_SIG_nn Signals are Outputs from Array (Inputs on Readout Cards)
S1_FB_nn Signals are Inputs to Array (Outputs on Readout Cards)

SSA_SIG_nn Signals are Outputs from Array (Inputs on Readout Cards)
S1_FB_nn Signals are Inputs to Array (Outputs on Readout Cards)


Clock Card - P16







Use UBC Logo
 Add Fiducial Point
 Add Fiducial Point

Title MCEv2 Instrument Backplane		University of British Columbia Department of Physics & Astronomy	
Size: B	Number: ELE-C587-101	Revision: B	 MCEv2 Project 6224 Agricultural Road Vancouver BC V6T 1Z1 Canada
Date: 6/21/2007	Time: 10:37:17 AM	Sheet 5 of 5	
File: C587-101_S5.SchDoc			