
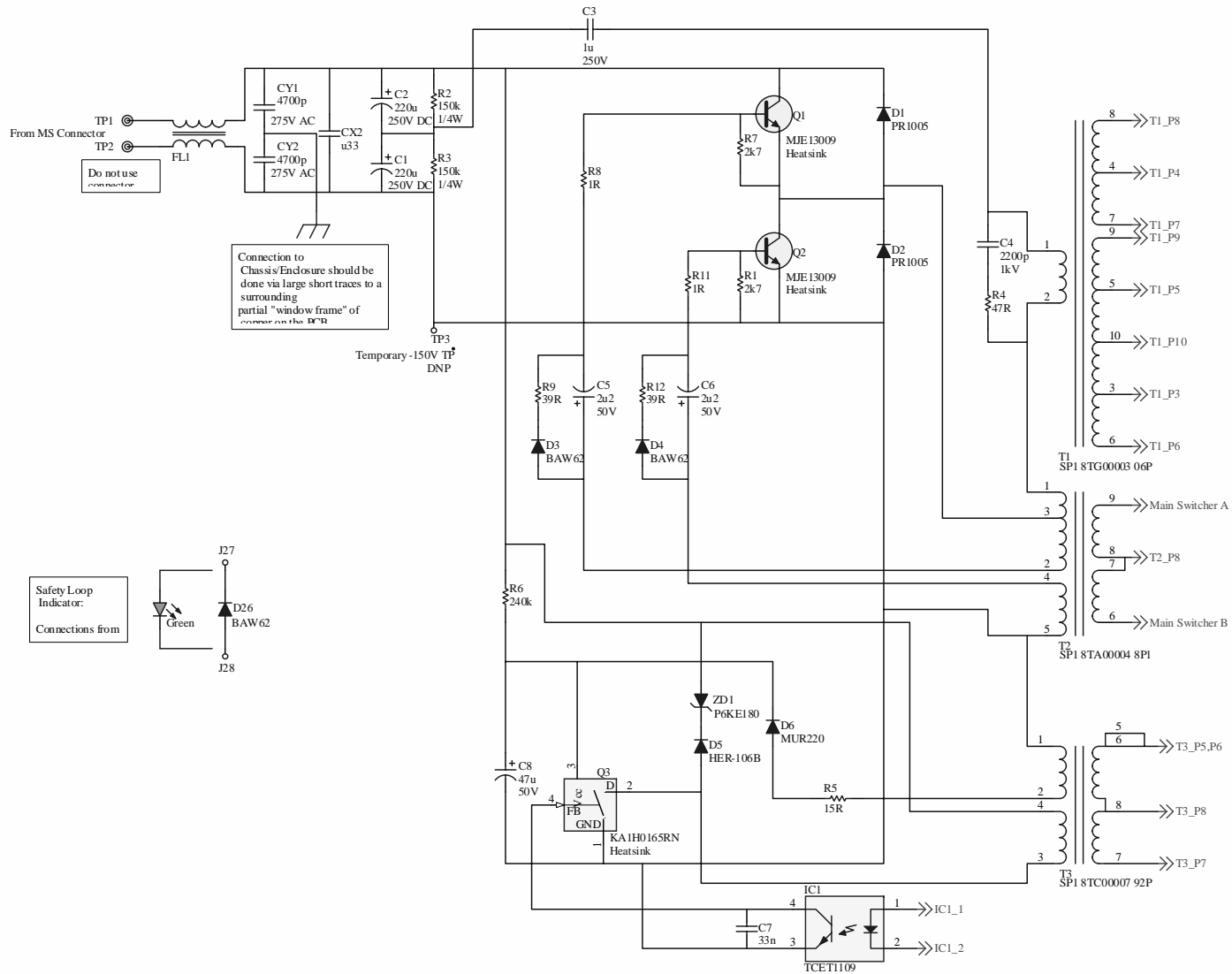



PSU- All Sheets  
PSU\_S585\_103A\_1.SchDoc;PSU\_S585\_103A\_2.SchDoc;PSU\_S585\_103A\_3.SchDoc



Title: <b>Power Supply Unit</b>		University of British Columbia		
Size: C	Number: S585-103B	Physics & Astronomy Department		
Date: 7/28/2006	Time: 2:55:35 PM	Scalpa2 Project		
File: MASTER SHEET.SCHDOC	Sheet 1 of 4	6224 Agricultural Road Vancouver BC V6T 1Z1 Canada		




Title <b>Power Supply Unit</b>		University of British Columbia Physics & Astronomy Department Scub2 Project 6224 Agricultural Road Vancouver BC V6T 1Z1 Canada		
Size: B	Number: S585-103B	Revision: B		
Date: 7/28/2006	Time: 2:55:36 PM	Sheet 2 of 4		
File: PSU_SS85_103B_1.SchDoc				

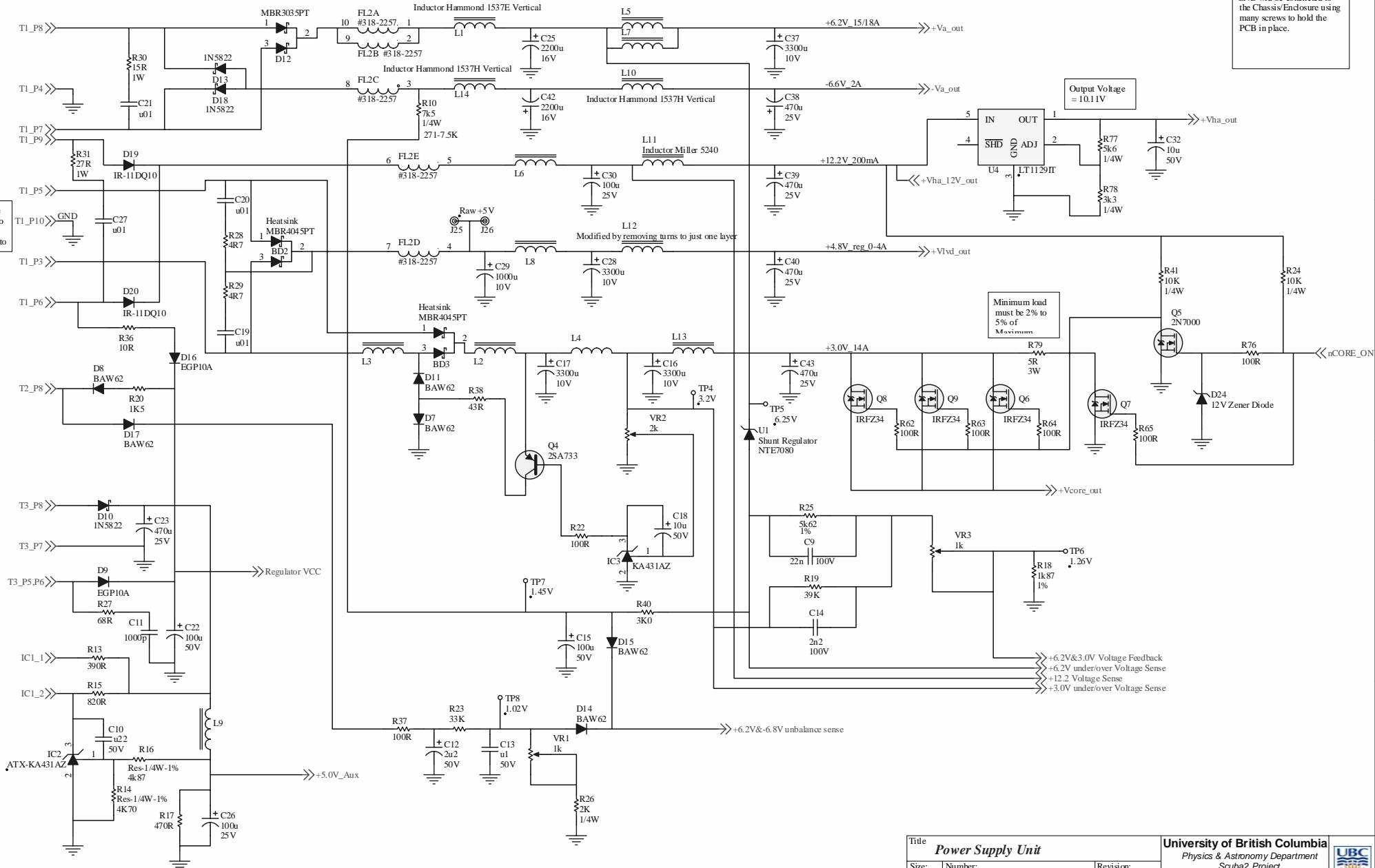
Use Wire Bundle to Connect T1\_P10 to GND

GND will be connected to the Chassis/Enclosure using many screws to hold the PCB in place.

Minimum load must be 2% to 5% of Maximum

Output Voltage = 10.11V

<b>Title</b> Power Supply Unit		<b>University of British Columbia</b> Physics & Astronomy Department Scub92 Project 6224 Agricultural Road Vancouver BC V6T 1Z1 Canada		
Size: B	Number: S585-103B	Revision: B		
Date: 7/28/2006	Time: 2:55:36PM	Sheet 3 of 4		
File: PSU_SS85_103B_2.SchDoc				

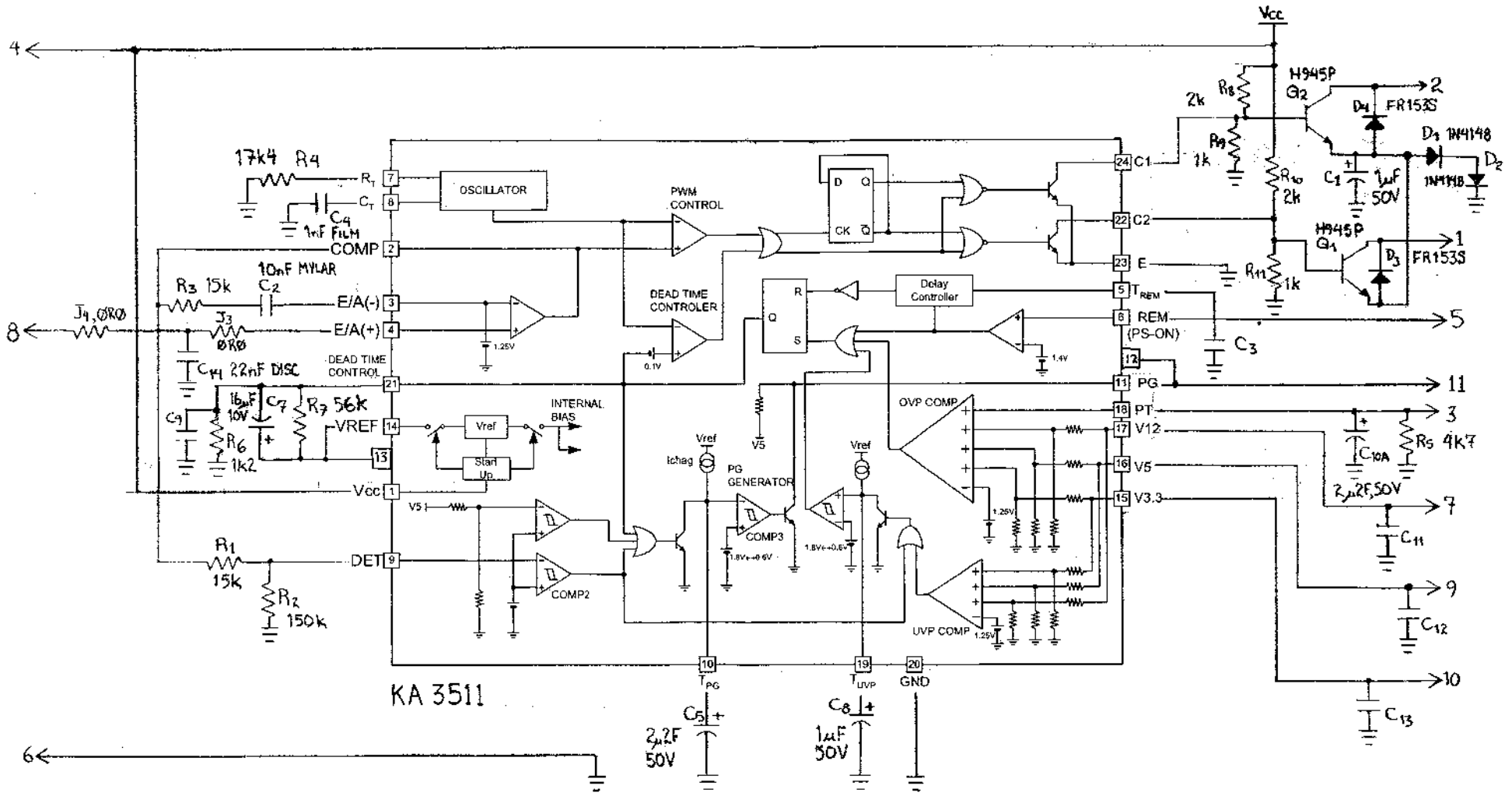


1 2 3 4 5 6

1 2 3 4 5 6

A B C D





KA 3511

PWMController PWB  
 Scuba2  
 2006 OCT 20  
 MARCEL VERONESI