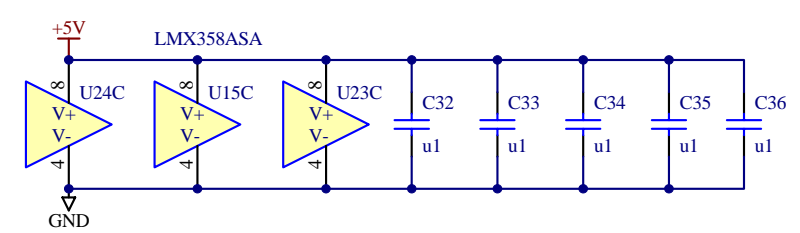
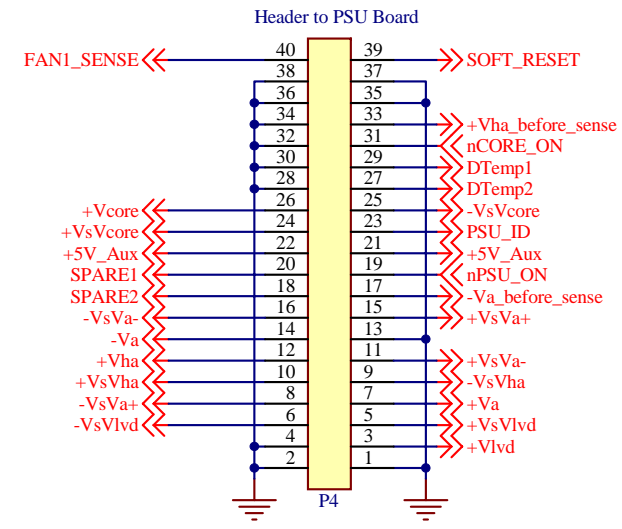
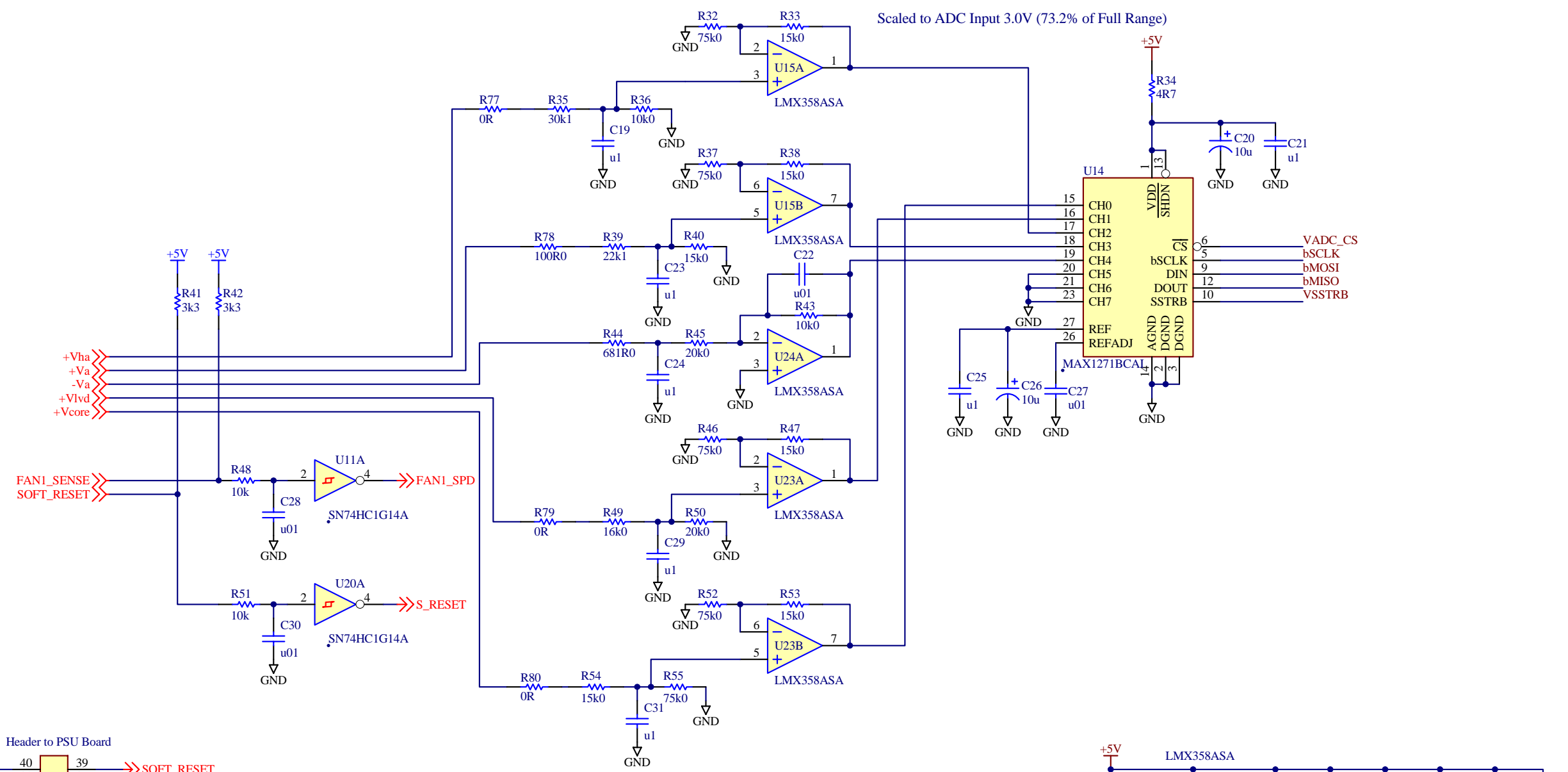
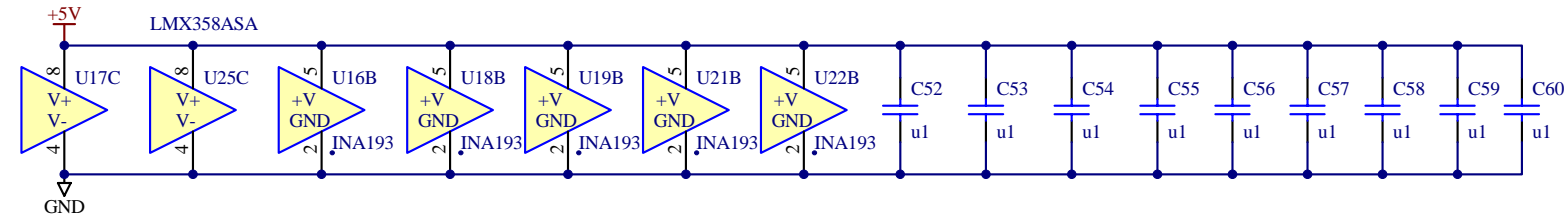
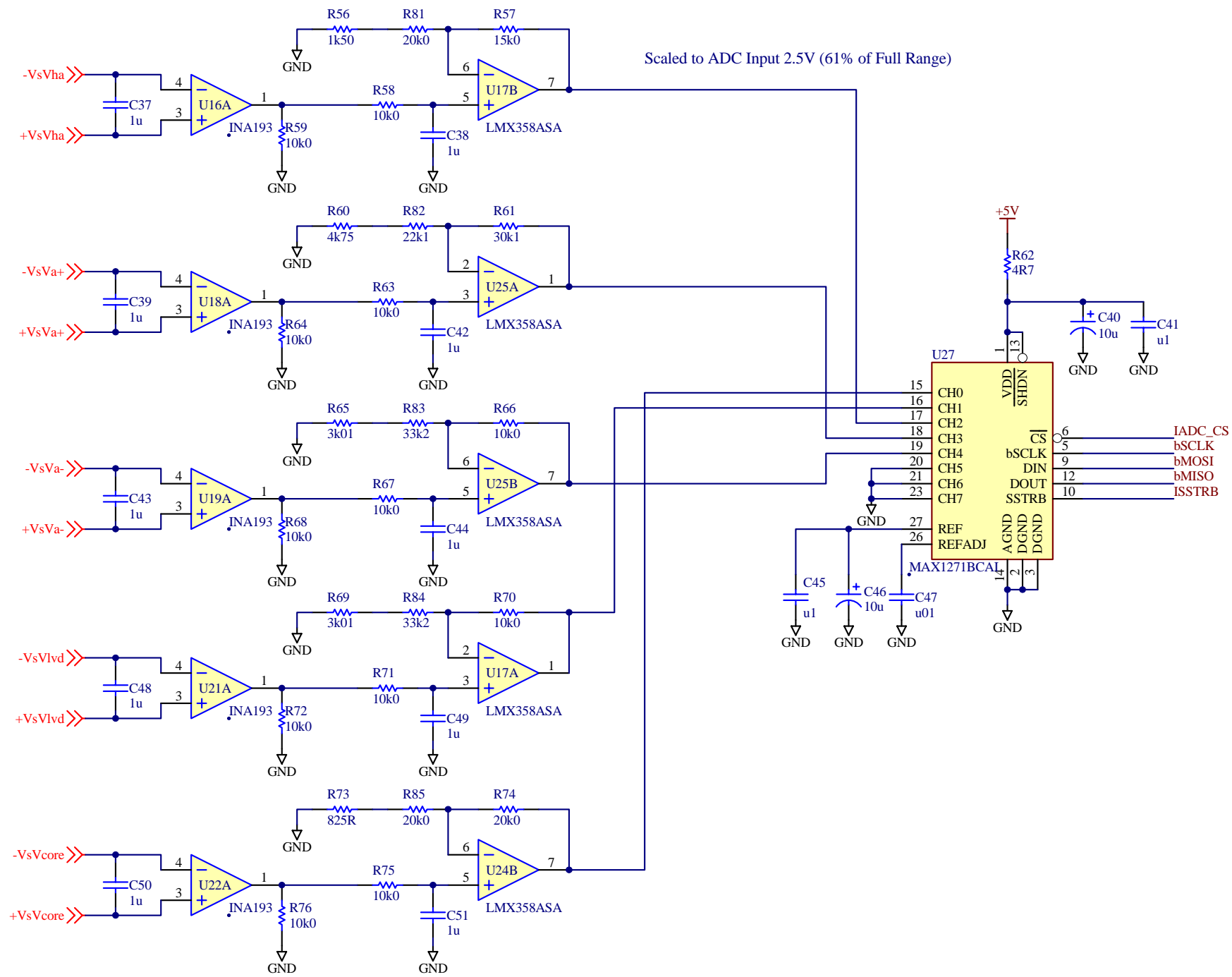


Mechanical Part Add to BOM:
 Bare Printed Circuit Board
 Add Fiducial Point
 Add Fiducial Point

Title PSU Controller			
Size: B	Number: SC2_ELE_S585_102	Revision: G Issue 8	University of British Columbia Physics & Astronomy Department SCUBA2 Project 6224 Agricultural Road Vancouver BC V6T 1Z1 Canada
Date: 3/12/2007	Time: 2:03:24 PM	Sheet 1 of 3	
File: C:\Scuba2\Scuba2 Protel\S585_102G_PSUC\S585_102G_S1.SchDoc			



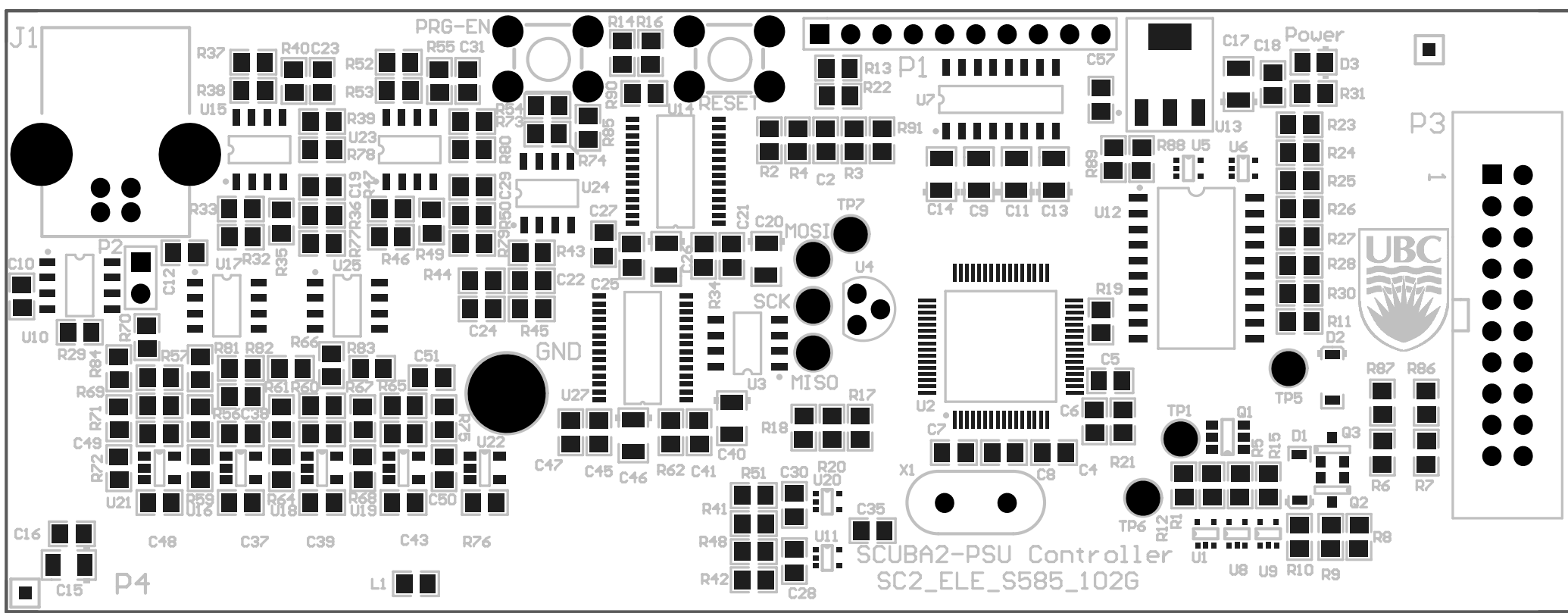


Title PSU Current Monitoring		University of British Columbia Physics & Astronomy Department SCUBA2 Project 6224 Agricultural Road Vancouver BC V6T 1Z1 Canada	
Size: B	Number: SC2_ELE_S585_102	Revision: G Issue 8	UBC
Date: 11/20/2006	Time: 8:42:48 AM	Sheet 3 of 3	
File: C:\Scuba2\Scuba2 Protel\S585_102G_PSUC\S585_102G_S3.SchDoc			

UBC - Physics & Astronomy - SCUBA2 S585_102G.PcbDoc

Layer: Top Overlay
Top Assembly Drawing

Layer Stack Up Detail for: S585_102G.PcbDoc	
Layer	Name
1	Top Layer(1)
2	InternalPlane(2)
3	Sig(3)
4	Bottom Layer(4)



UBC - Physics & Astronomy - SCUBA2

S585_102G.PcbDoc

Layer: Bottom Overlay
Bottom Assembly Drawing

Layer Stack Up Detail for: S585_102G.PcbDoc	
Layer	Name
	Top Layer(1)
	InternalPlane(2)
	Sig(3)
	Bottom Layer(4)

