

1

2

3

4

5

6

A

A

B

B

C


C

D

D

Instrument Bus Tester Master Sheet  
S58E\_101\_S1.SchDoc;S58E\_101\_S2.SchDoc;S58E\_101\_S3.SchDoc;S58E\_101\_S4.SchDoc



Title		<b><i>MCE GPIB Instrument Bus Tester</i></b>		University of British Columbia	
Size: B		Number: ELE-C58E-101		Physics & Astronomy Department	
Date: 8/5/2009		Time: 4:46:07 PM		MCE Project Lab	
File: E:\ELAB3_CLONE\SCUBA2\SCUBA2 Protel\S58E_101C_GPIB_IB\S58E_101_S0.SchDoc		Revision: C		6224 Agricultural Road	
		Sheet 1 of 5		Vancouver BC V6T 1Z1 Canada	
					

1

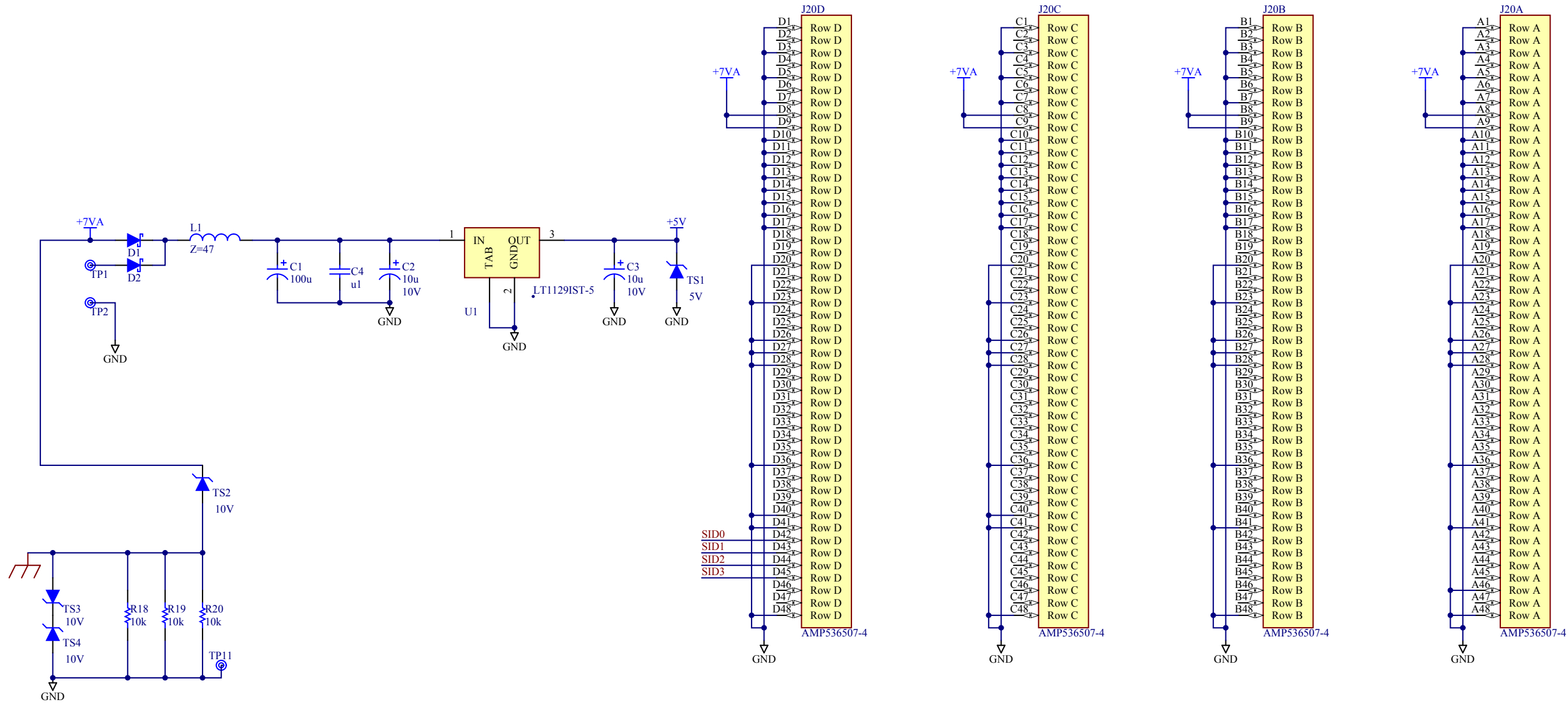
2

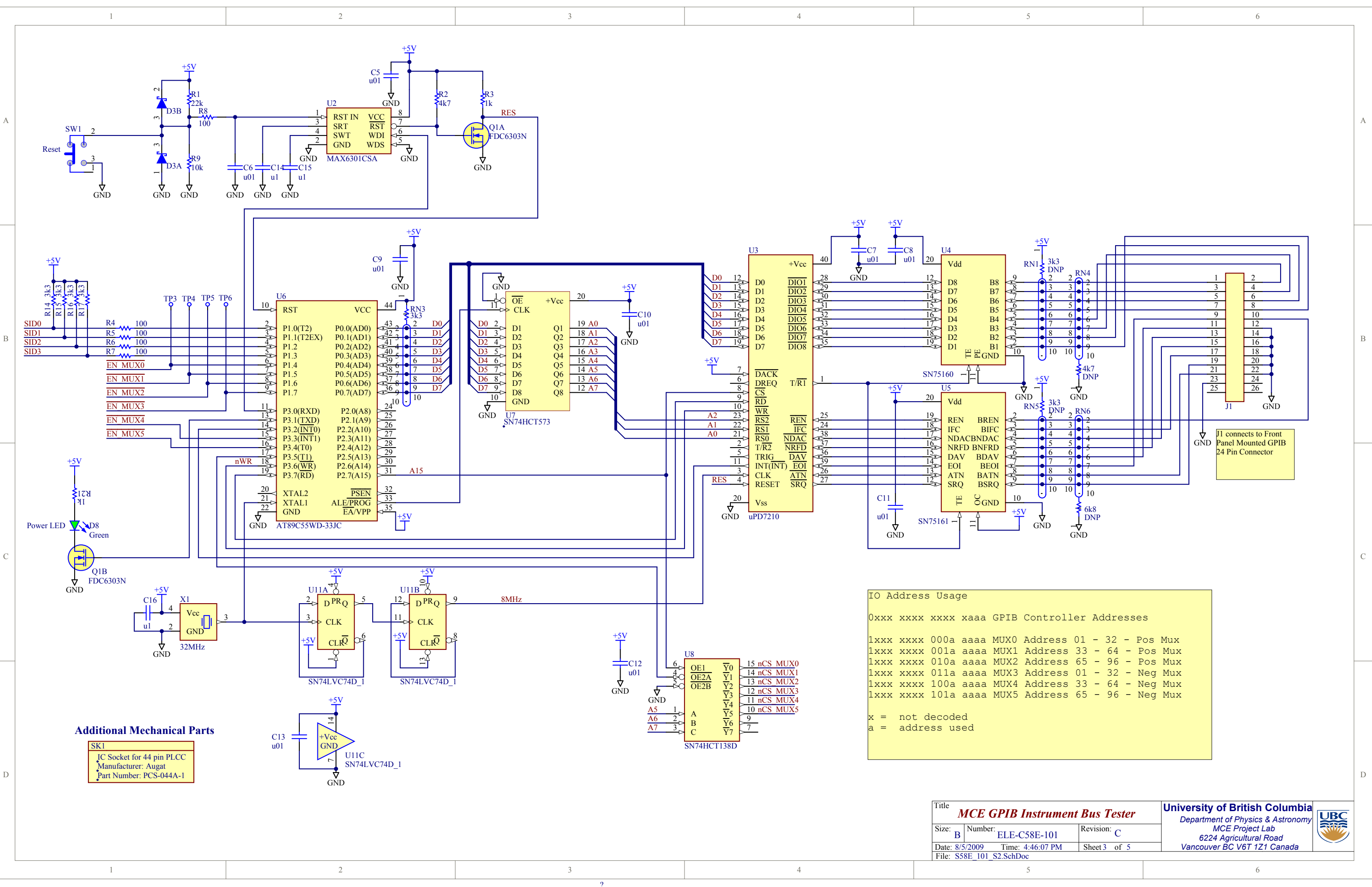
3

4

5

6





**Additional Mechanical Parts**

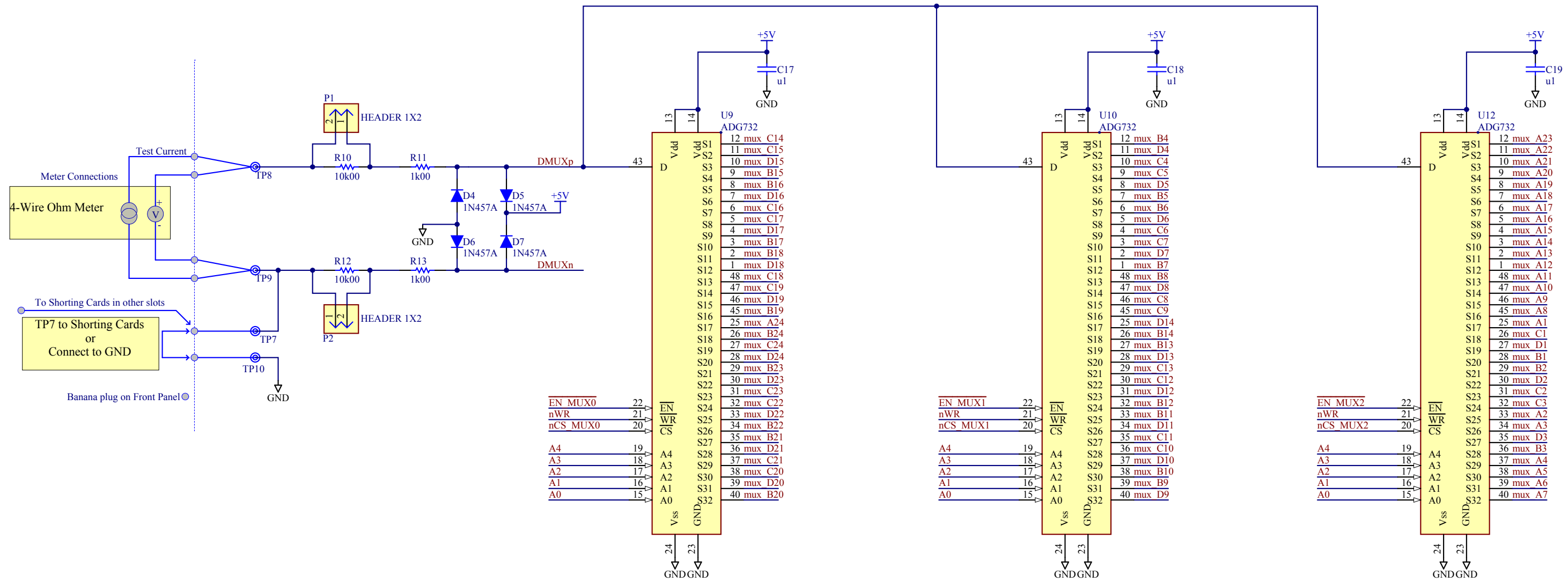
SK1
IC Socket for 44 pin PLCC
Manufacturer: Augat
Part Number: PCS-044A-1

**IO Address Usage**

0xxx xxxx xxxx xaaa GPIB Controller Addresses

1xxx xxxx 000a	aaaa	MUX0	Address 01 - 32 - Pos
1xxx xxxx 001a	aaaa	MUX1	Address 33 - 64 - Pos
1xxx xxxx 010a	aaaa	MUX2	Address 65 - 96 - Pos
1xxx xxxx 011a	aaaa	MUX3	Address 01 - 32 - Neg
1xxx xxxx 100a	aaaa	MUX4	Address 33 - 64 - Neg
1xxx xxxx 101a	aaaa	MUX5	Address 65 - 96 - Neg

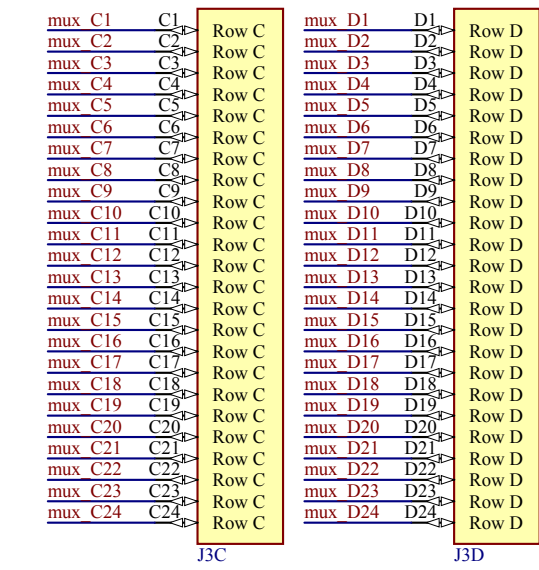
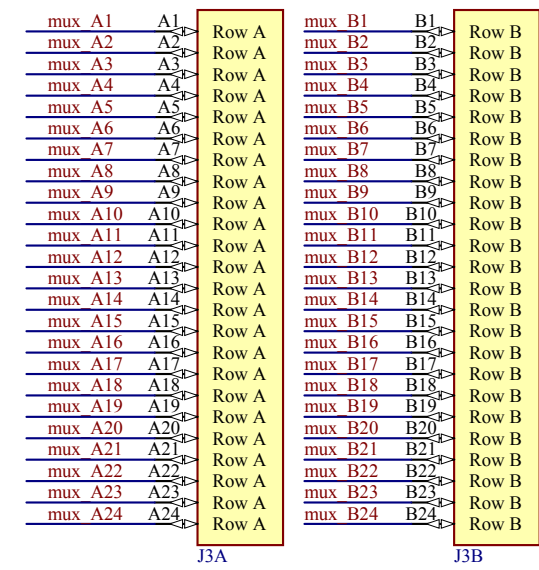
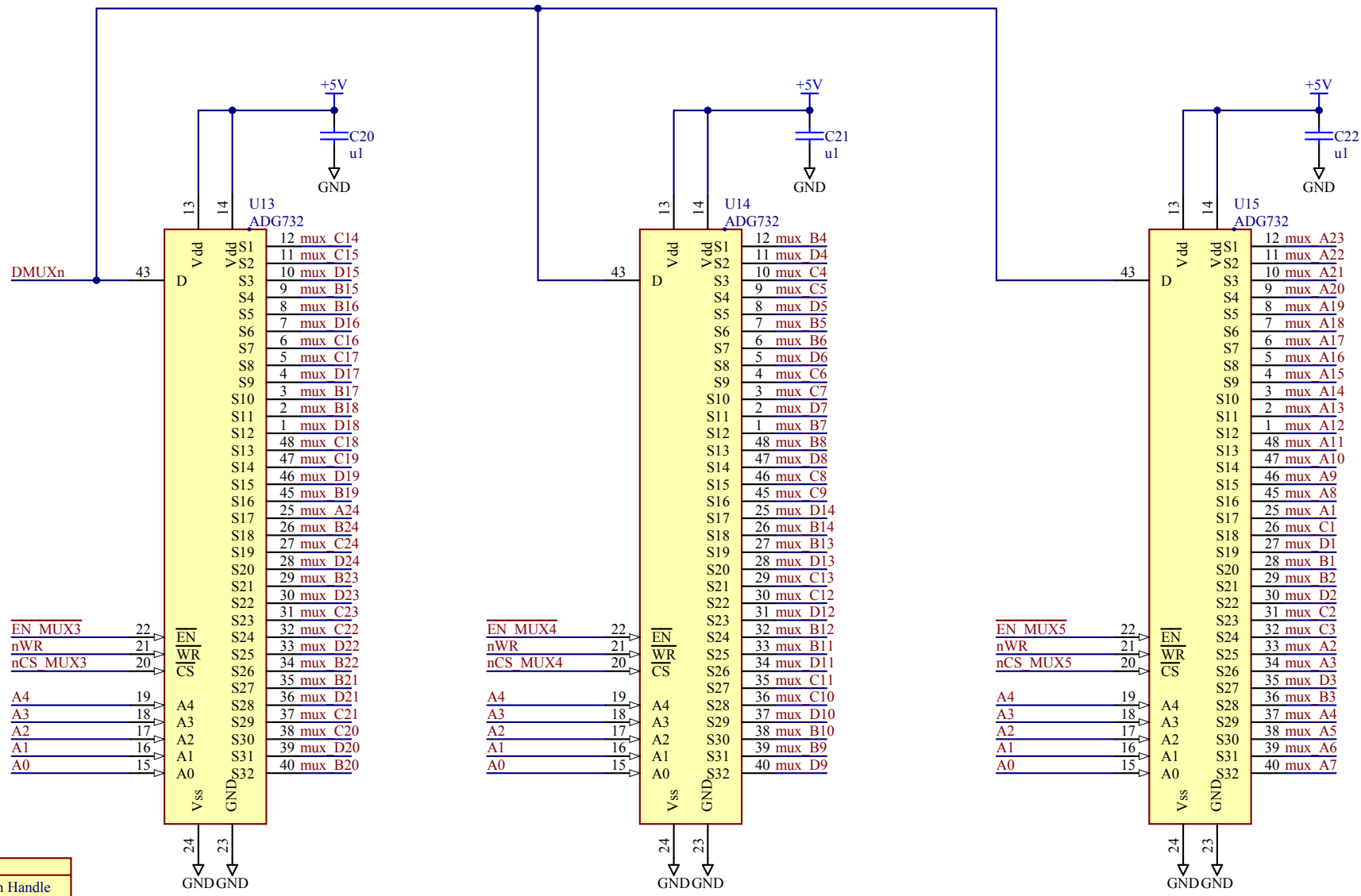
x = not decoded  
a = address used



EN MUX0	22	EN	S23	32 mux C22
nWR	21	WR	S24	33 mux D22
nCS MUX0	20	CS	S25	34 mux B22
A4	19	A4	S26	35 mux C21
A3	18	A3	S27	36 mux D21
A2	17	A2	S28	37 mux C21
A1	16	A1	S29	38 mux B20
A0	15	A0	S30	39 mux D20
			S31	40 mux B20
			S32	

EN MUX1	22	EN	S23	32 mux B12
nWR	21	WR	S24	33 mux A11
nCS MUX1	20	CS	S25	34 mux D11
A4	19	A4	S26	35 mux C11
A3	18	A3	S27	36 mux B10
A2	17	A2	S28	37 mux A10
A1	16	A1	S29	38 mux D9
A0	15	A0	S30	39 mux B9
			S31	40 mux A9
			S32	


EN MUX2	22	EN	S23	32 mux C3
nWR	21	WR	S24	33 mux A2
nCS MUX2	20	CS	S25	34 mux D3
A4	19	A4	S26	35 mux B3
A3	18	A3	S27	36 mux A3
A2	17	A2	S28	37 mux D4
A1	16	A1	S29	38 mux B5
A0	15	A0	S30	39 mux A6
			S31	40 mux D7
			S32	



Bottom Extraction Handle  
 Manufacturer: Rittal  
 Part Number: 3686-902

Top Extraction Handle  
 Manufacturer: Rittal  
 Part Number: 3686-903

- PCB Part Number for BOM: SC2-ELE-S58E-101
- Mechanical Part Add to BOM: GPIB Card Front Panel
- Mechanical Part Add to BOM: Red Banana Jack
- Mechanical Part Add to BOM: Blue Banana Jack
- Mechanical Part Add to BOM: Black Banana Jack
- Mechanical Part Add to BOM: Black Banana Jack
- Mechanical Part Add to BOM: GPIB Panel Mount Receptacle
- Mechanical Part Add to BOM: Panel Mount Receptacle Hardware
- Mechanical Part Add to BOM: 26 pin Female Header
- Mechanical Part Add to BOM: 16 pin Machined IC Socket
- Mechanical Part Add to BOM: 20 pin Machined IC Socket
- Mechanical Part Add to BOM: 20 pin Machined IC Socket
- Mechanical Part Add to BOM: 20 pin Machined IC Socket
- Mechanical Part Add to BOM: 40 pin Machined IC Socket

Title <b>MCE GPIB Instrument Bus Tester</b>		University of British Columbia Department of Physics & Astronomy MCE Project Lab 6224 Agricultural Road Vancouver BC V6T 1Z1 Canada	
Size: B	Number: ELE-C58E-101	Revision: C	
Date: 8/5/2009	Time: 4:46:07 PM	Sheet 5 of 5	
File: S58E_101_S4.SchDoc			

